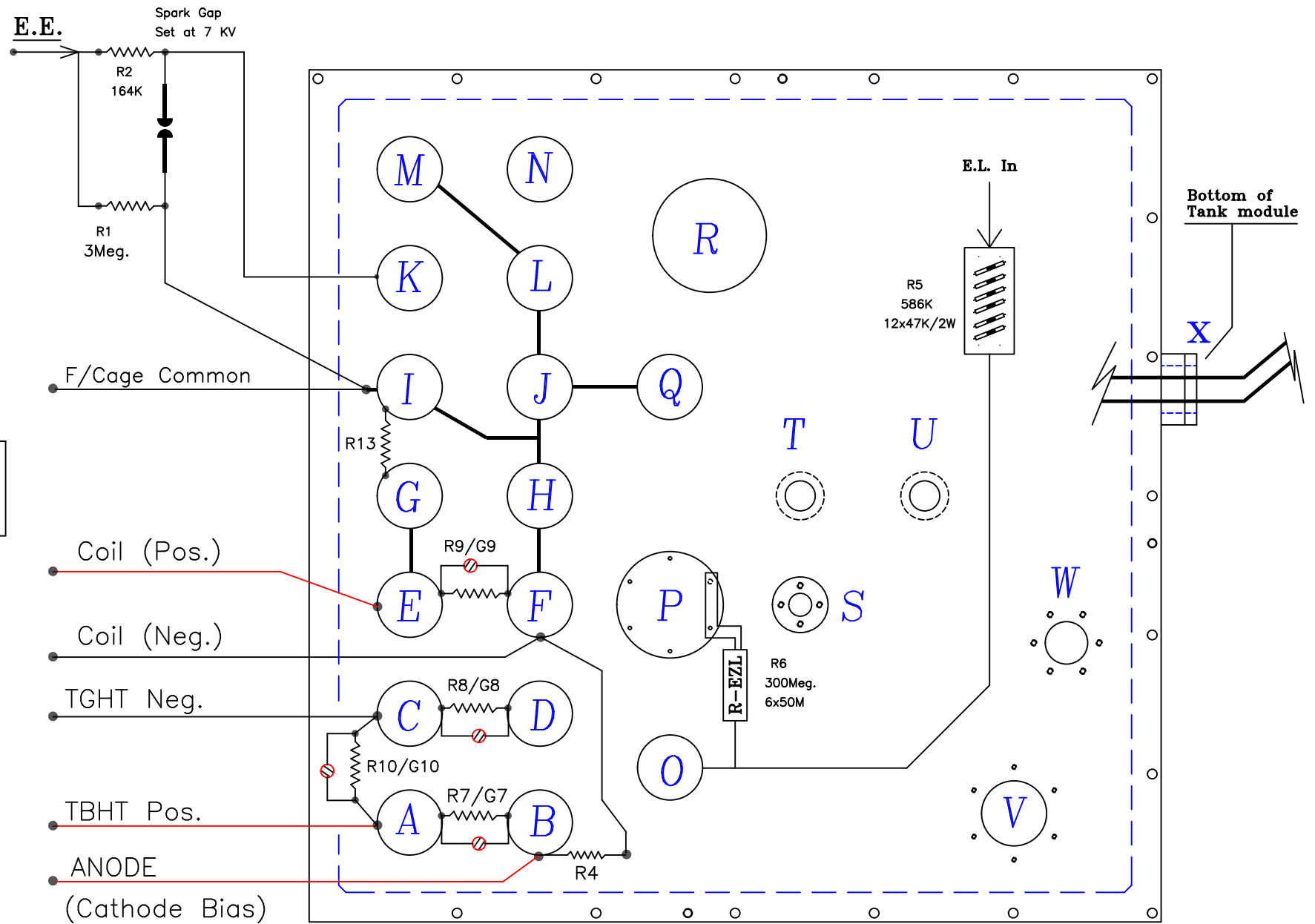


Test Stand Service Cap

F/T	Designation
A	TBHT (Cathode) – Center (Pos.)
B	TBHT (Cathode) – Sides (Neg.)
C	TGHT – Right side (Neg.)
D	TGHT – Left side (Pos.)
E	Magnet Coil (Pos.)
F	Magnet Coil (Neg.)
G	Magnet Coil (Pos.) (water line)
H	Magnet Coil (Neg) (water line)
I	CV (Cavity/Mntg Plate)
J	ANODE
K	Extraction Electrode (EE/Neg.)
L	HS (Heat shield)
M	Gas Lines (2 x 1/4" SS)
N	Blank Cover / Plasma Monitor 1 & 2
O	EINZEL Lens (EL/Pos.)
P	BLank
Q	9 Pin D-SUB (RFQ & TC)
R	BLank
S	Collimator – 1 Pin F/T (MHV)
T	BLank
U	BLank
V	BLank
W	CCB (Correction Bender Plates)
X	Ground Electrode (Water cooled)



R/values

- R1 = 3Meg. 38W (19x2W)
- R2 = 164K
- R4 = 100K/10W
- R5 = 586K (12x47K/2W)
- R6 = 300Meg. (6x50M)
- R7 to R13 = 100 Ohm 5W
- G7 to G10 = Gemov 33V

Ref: ISK4562D "FEBIAD F/Cage Electrical"

REV	DATE	REVISION DESCRIPTION	BY	APP'D
3	6 May 2013	Added designation for F/T "Q"	RD	
2	14/08/2012	Added FEBIAD to drawing title	RD	

TRIUMF 4004 WESBROOK MALL
VANCOUVER, BRITISH COLUMBIA CANADA V6T-2A3 CANADA'S NATIONAL MESON FACILITY

Test Stand FEBIAD – Service Cap
Cathode Negative Bias

DRAWN Ray Dube	APPROVED	DWG NO.	REV
DATE 21/06/2012		ISK4563D	3