

NOTE:

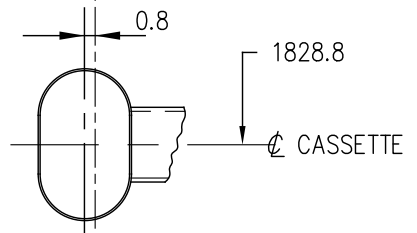
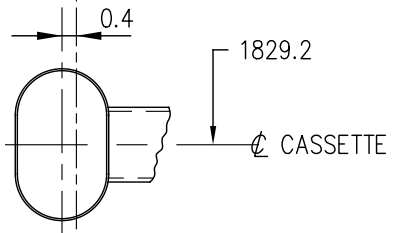
- DIM'S IN m.m.
- POT. READS:
20.22/20.23 K OHM
- NEW TGT LADDER: DEC 2011
- ENTRY & EXIT MEASUREMENTS
SHOWN FROM BEAM DIRECTION

T1-MK1
1830.0 mm ELEV.

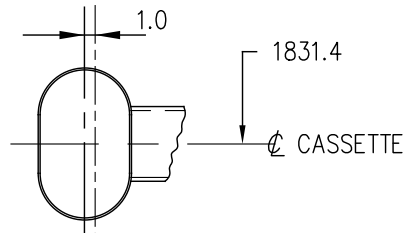
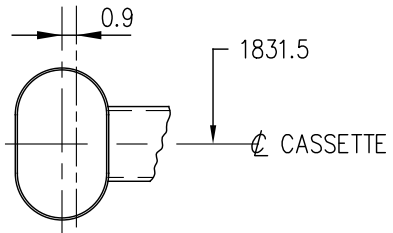
ENTRY

EXIT

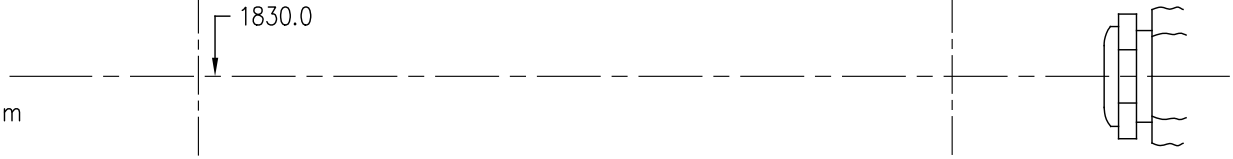
POS'N #5
12mm Beryllium
POT 17.91 Kohm
SER #109



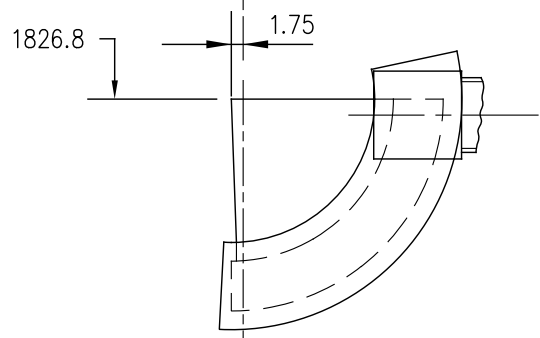
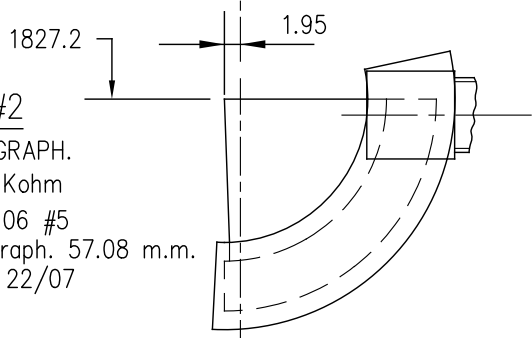
POS'N #4
12mm Beryllium
POT 13.66 Kohm
SER #108



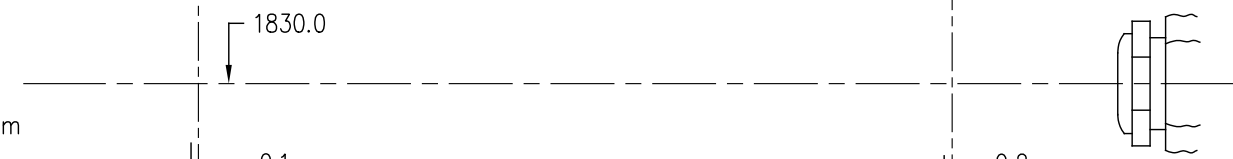
POS'N #3
PLUGGED
POT 11.44 Kohm



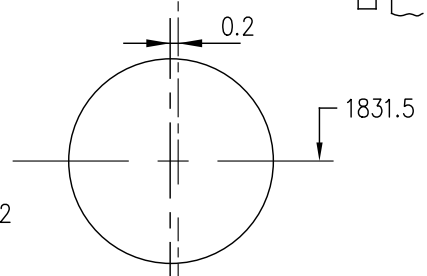
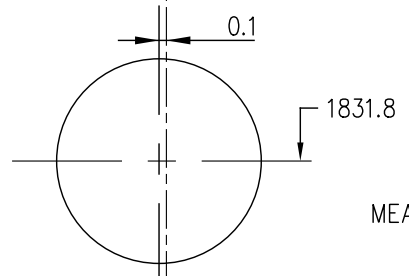
POS'N #2
10 m.m. GRAPH.
POT 8.67 Kohm
SER# SEP.06 #5
Tube to Graph. 57.08 m.m.
New June 22/07



POS'N #1
PLUGGED
POT 5.80 Kohm

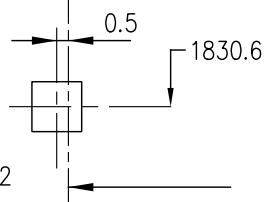


POS'N #0
POT 1.49 Kohm



PROFILE MONITOR
New July 31, 2012
(0.005" Molybdenum Wires)
MEASUREMENTS TAKEN JULY 2012

PROTECT MONITOR
5.5 w. x 4.7 hi
New Feb 15, 2012
Wiring Corrected July 2012



MEASUREMENTS TAKEN JULY 2012

