

B/L 1A T1-MK1
TARGET LADDER INFORMATION

Work performed : Removal and plugged
failed Be target at Pos'n 3.

Date : Feb 18, 2015 By : Issac Barle
 Date installed in Beamline : MAY 21, 2019

TARGET POS'N	MATERIAL	COMMENTS
1	Plugged	
2	10mm Graphite	150µA limit. New June 22, 2007 Target has not seen beam Saddle serial no: Sep. 2006 #5
3	Plugged	
4	12mm Be	170µA limit. New July 26, 2006 Target has not seen beam. Installed Aug 3, 2006
5	10mm Graphite	150µA limit. New June 22, 2007 Target has not seen beam. Saddle serial no: Sep. 06 #6

COMMENTS : Profile + protect monitors checked by
Dave Cameron while target in hot cell → Both ok.

See R.H. E-Loss #129, 140, 141 for full details on
work performed.

OPS.: SIGN THIS FORM & MAKE 5 COPIES. RETURN THE ORIGINAL TO ORIGINATOR.

PLACE 1 COPY OF THE FORM IN THE FOLLOWING BOOKS:

- 1-GREEN BINDER.....TARGET INFORMATION DOCUMENTS.
- 2-BLUE BOOK
- 3-TARGETS.....brown book, BBnote section
- 4-BEAMLINES..... " " " "
- 5-1AOP..... " " " "

- Update XTPage page 7L and when finished make sure it is available on other XTPages.
- Print-out page 7L, cut-out the pertinent section and tape it to the J-panel target control station.

RECEIVED BY OPS.:

Σ. C

DATE:

22 MAY 2019

NOTE:

- DIM'S IN m.m.
- POT. READS:
20.22/20.23 K OHM
- NEW TGT LADDER: DEC 2011

T1-MK1
1830.0 mm ELEV.

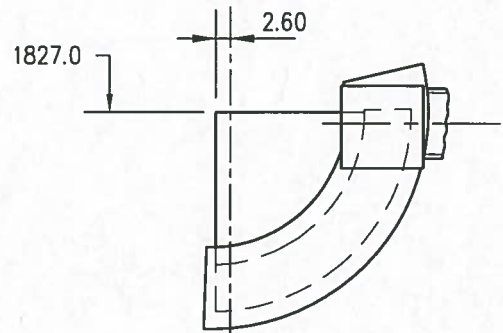
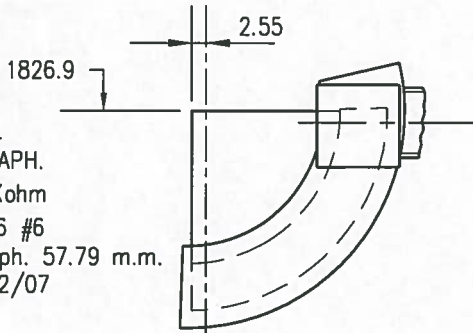
FEB 18/2015
Page 1/2

ENTRY

EXIT

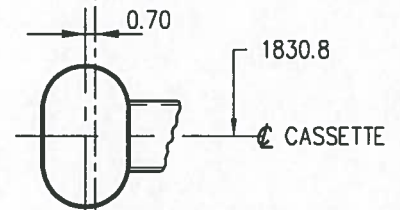
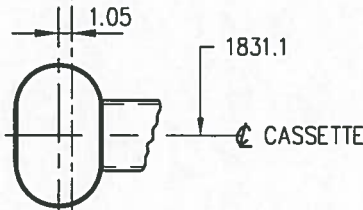
POS'N #5

10 m.m. GRAPH.
POT 17.91 Kohm
SER# SEP.06 #6
Tube to Graph. 57.79 m.m.
New June 22/07



POS'N #4

12 m.m. Be
POT 13.66 Kohm
New Aug. 03/06



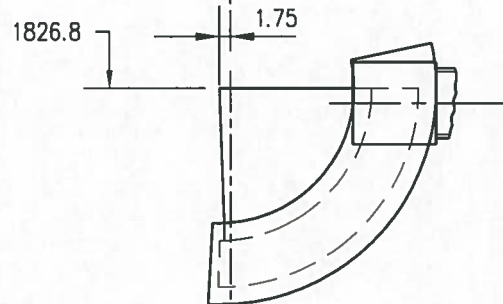
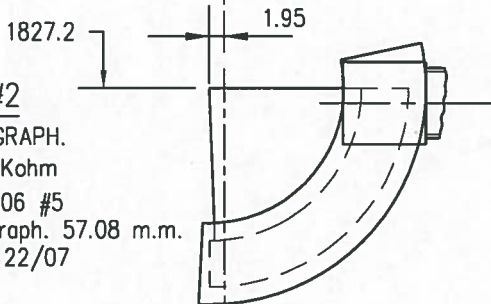
POS'N #3

PLUGGED
POT 11.44 Kohm



POS'N #2

10 m.m. GRAPH.
POT 8.67 Kohm
SER# SEP.06 #5
Tube to Graph. 57.08 m.m.
New June 22/07



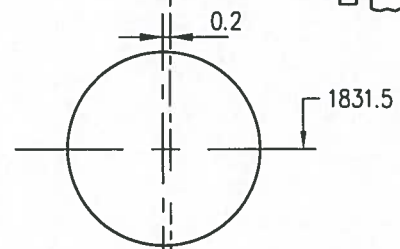
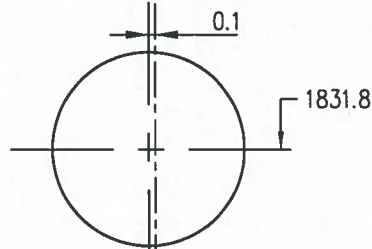
POS'N #1

PLUGGED
POT 5.80 Kohm



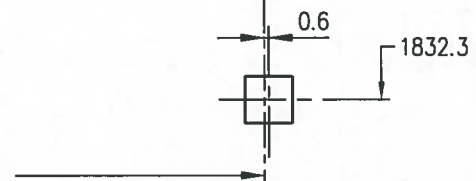
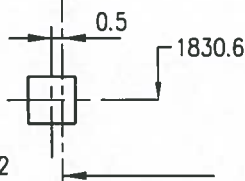
POS'N #0

POT 1.49 Kohm



PROFILE MONITOR
New July 31, 2012
(0.005" Molybdenum Wires)

PROTECT MONITOR
5.5 w. x 4.7 hi
New Feb 15, 2012
Wiring Corrected July 2012



NOTE:
-DIM'S IN m.m.

T1-MK1
BEAMSPOTS

FEB 18/2015
Page 2/2

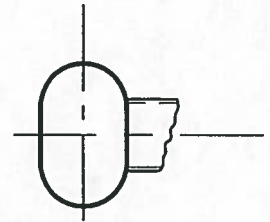
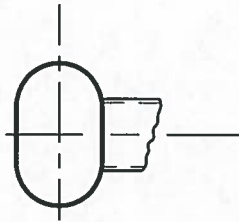
ENTRY

MEASUREMENTS TAKEN
LOOKING DOWNSTREAM.

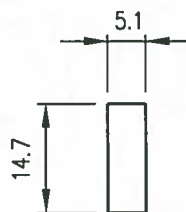
EXIT

MEASUREMENTS TAKEN
LOOKING UPSTREAM.

POS'N #4
12 m.m. Be
POT 13.66 Kohm
New Aug. 03/06



NO BEAM SPOT - TARGET HAS NOT SEEN BEAM



Be TGT