

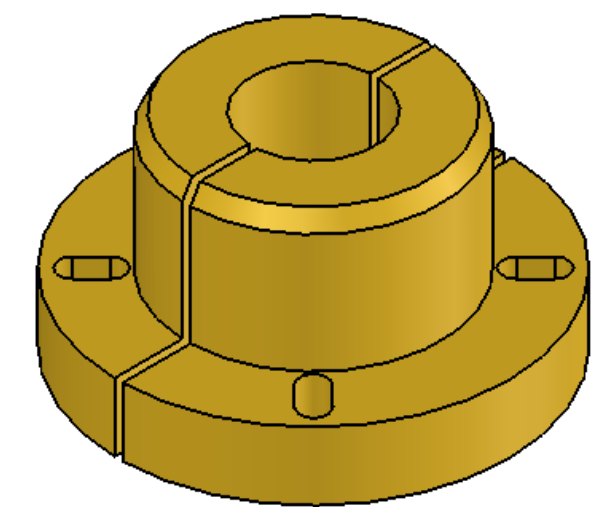
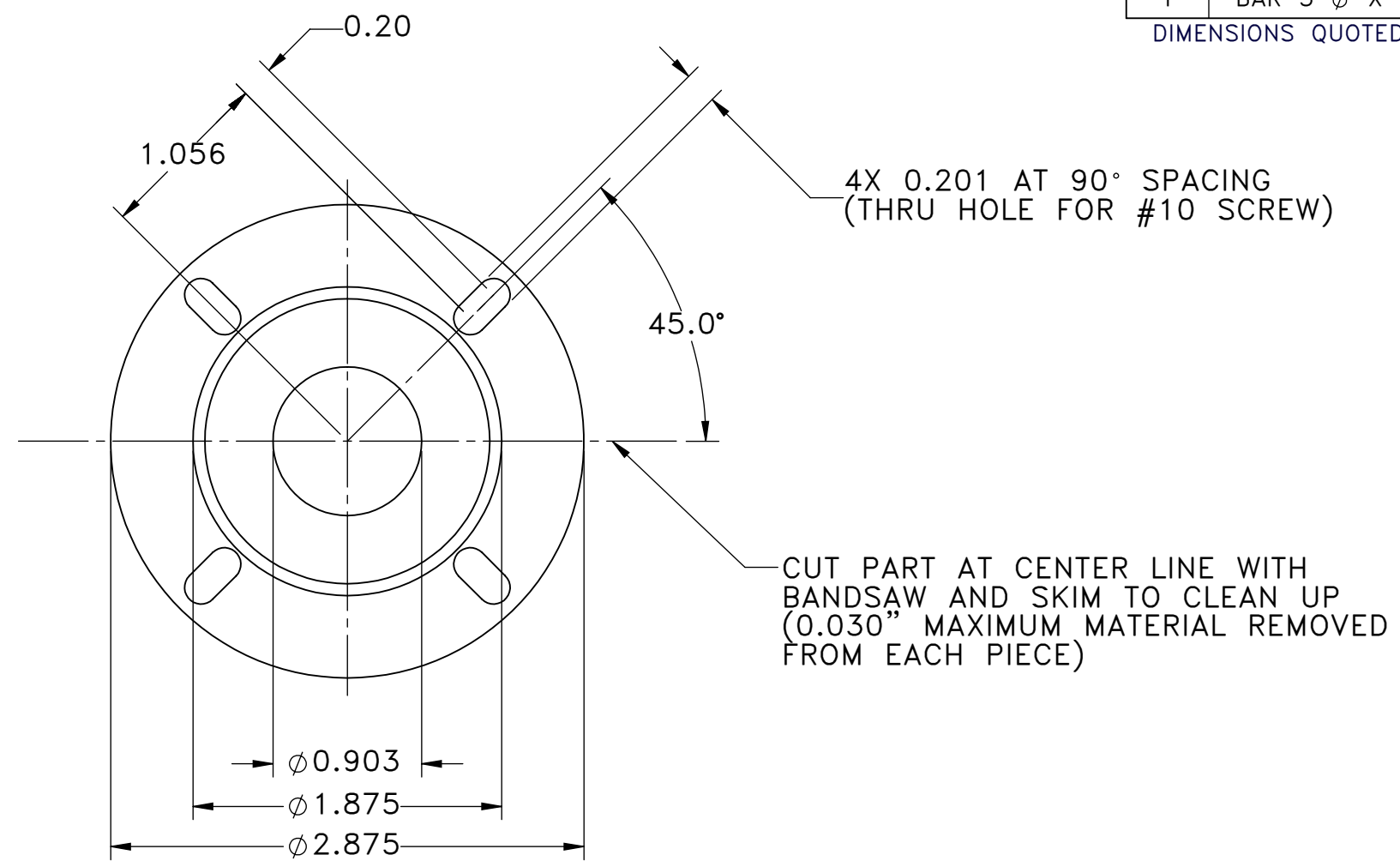
ITEM	DESCRIPTION	MATERIAL	QTY.
1	BAR 3" $\phi$ X 1-1/2" LG.	Brass	1

DIMENSIONS QUOTED ARE FINISHED DIMENSIONS, NO ALLOWANCE HAS BEEN MADE FOR MANUFACTURE.

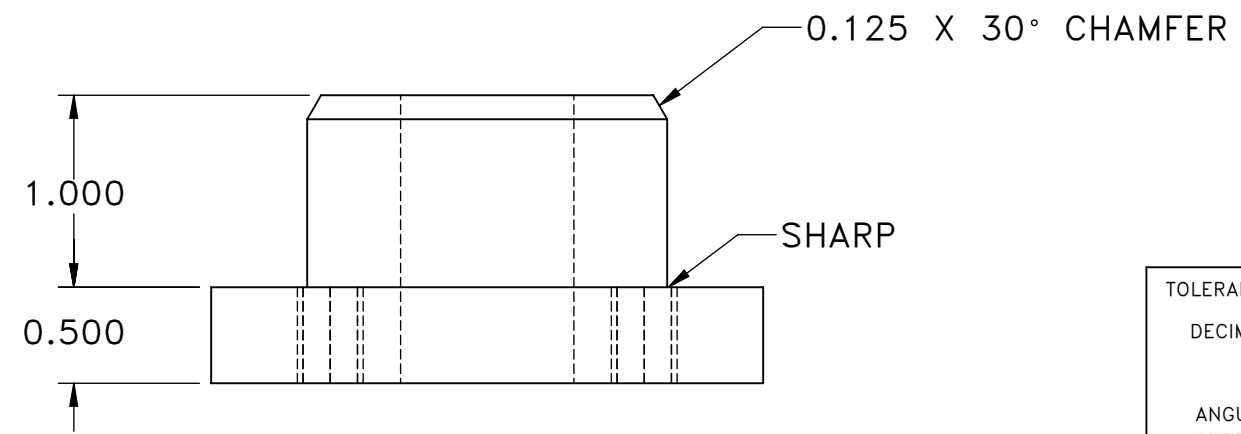
1

2

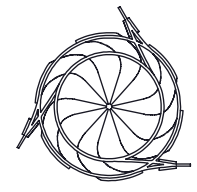
3



ISOMETRIC



REMOVE ALL BURRS AND SHARP EDGES

TOLERANCES UNLESS OTHERWISE SPECIFIED		REV	DATE	REVISION DESCRIPTION	BY	APPD
DECIMALS	.X $\pm$ 0.1					
	.XX $\pm$ 0.01					
	.XXX $\pm$ 0.005					
ANGULAR	$\pm$ 1.0°					
SURFACE FINISH	125 $\mu$ inch					
ALL DIMS IN INCHES						
DESIGNED I.EARLE		SUB-ASSY		 <p><b>TRIUMF</b> 4004 WESBROOK MALL VANCOUVER, BRITISH COLUMBIA CANADA V6T-2A3</p> <p>CANADA'S NATIONAL LABORATORY FOR PARTICLE AND NUCLEAR PHYSICS</p>		
DRAWN I.EARLE		E10058				
CHECKED		ASSEMBLY				
REA #		E10056				
TRACKING #				<p><b>M20 BEAM BLOCKER SPLIT FLANGE BEARING</b></p>		
DO NOT COPY, THIS DOCUMENT CONTAINS PROPRIETARY INFORMATION		SCALE 1:1		DWG NO.		SIZE B
THIS DRAWING, SUBJECT MATTER AND INFORMATION CONTAINED THEREIN, IS THE SOLE, EXCLUSIVE AND CONFIDENTIAL PROPERTY OF TRIUMF LABORATORY, AND AS SUCH, SHALL NOT BE DISCLOSED, COPIED, REPRODUCED OR USED, IN WHOLE OR IN PART, WITHOUT EXPRESSED WRITTEN PERMISSION OF THE TRIUMF LABORATORY OR ITS REPRESENTATIVES.		DATE Jan 17, 2012		THIRD-ANGLE PROJECTION		SHEET 1 OF 1
						REV 1