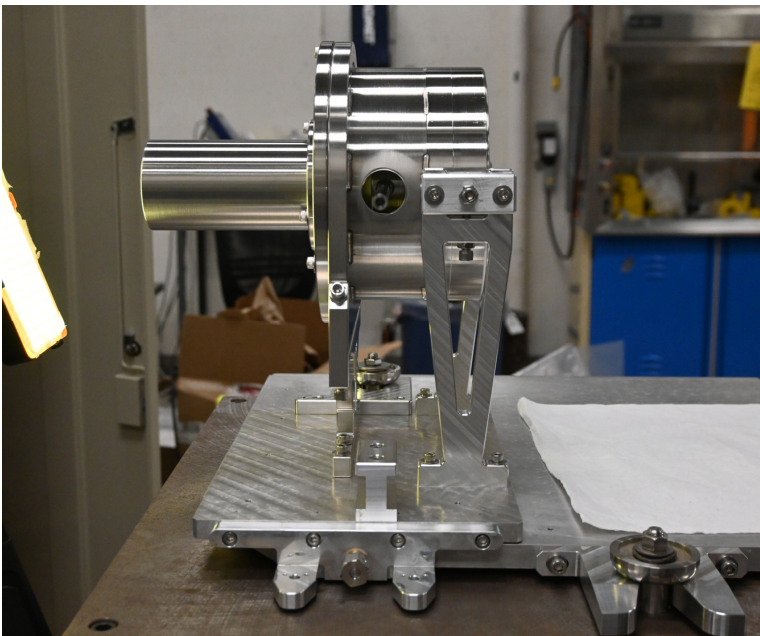
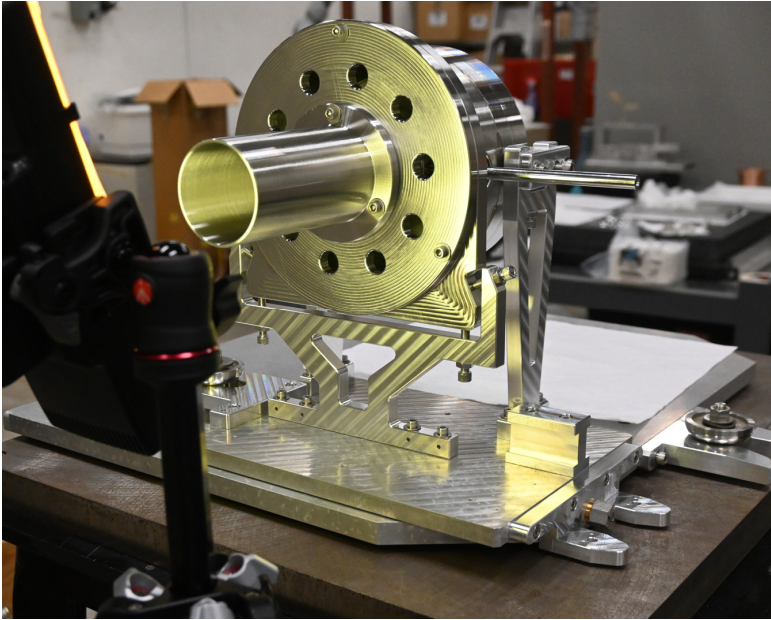
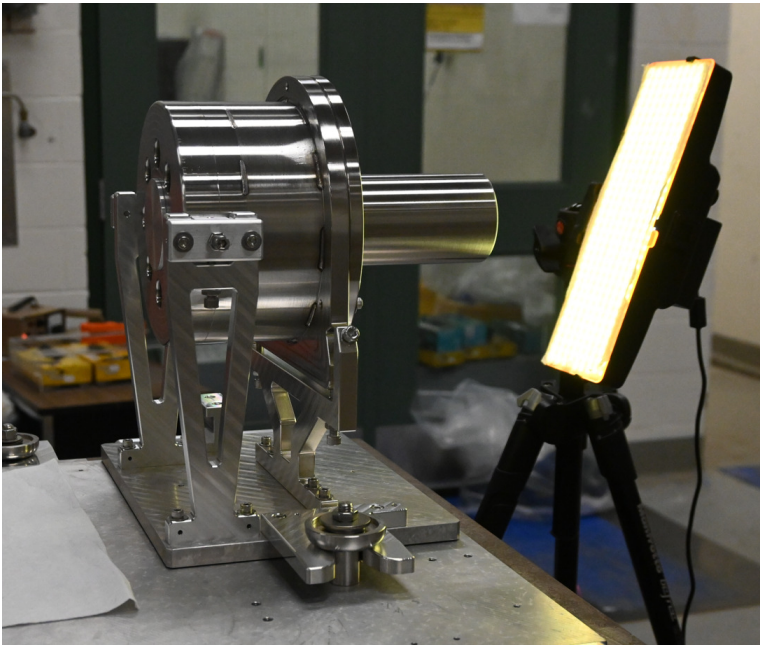


2024 optics tray build

March 12, 2024 10:24 AM

Alignment record of ITA6012 rev A optics tray for 2022-2024 target module 3 (ITA6636 rev A) source tray.





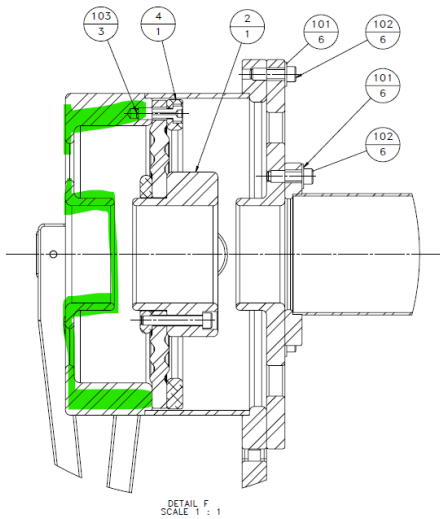
Targets are aluminum inserts with .02" diameter hole

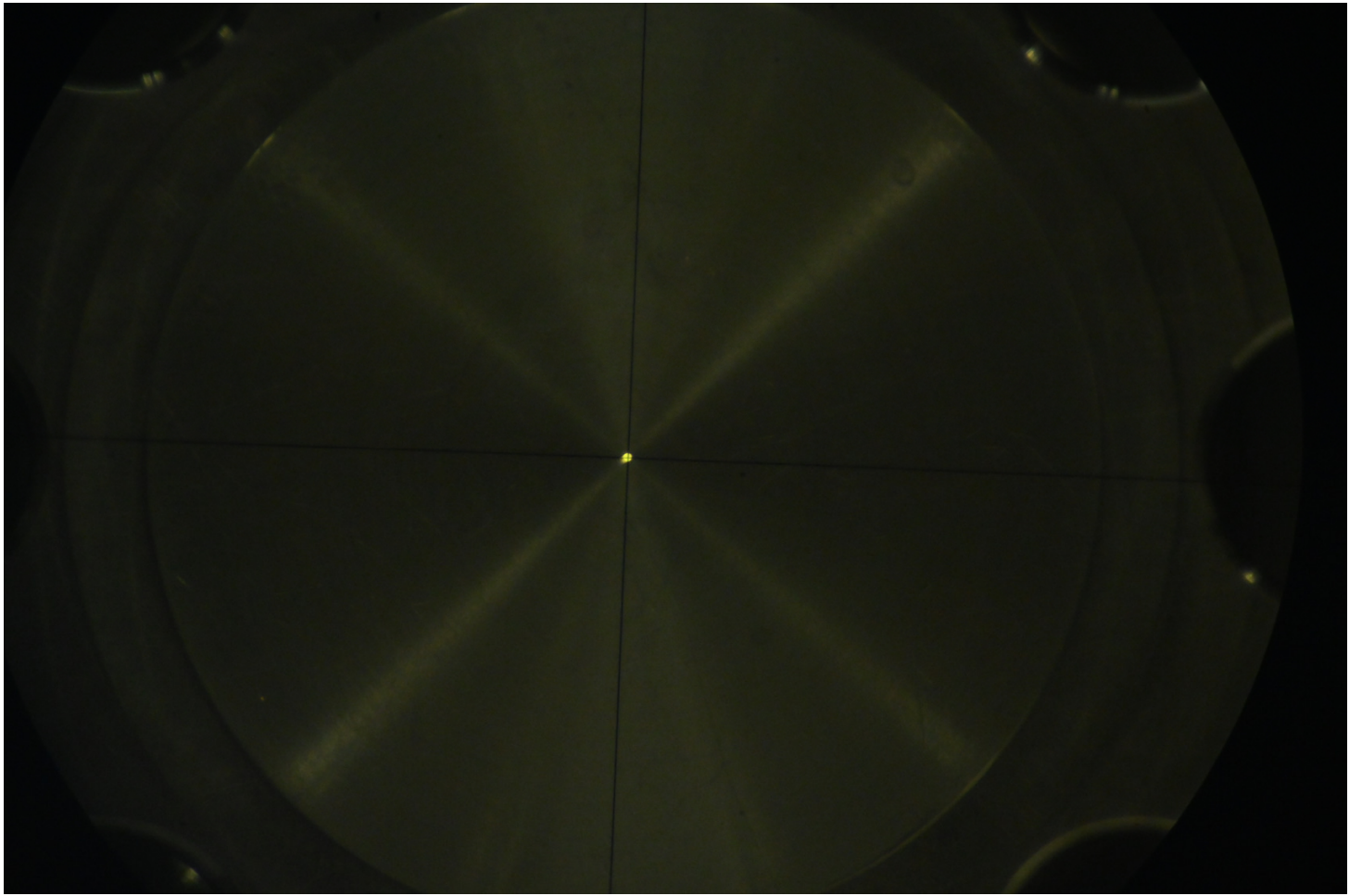
Primary alignment fixture targets are Brunson see through targets with .02" wire spacing.

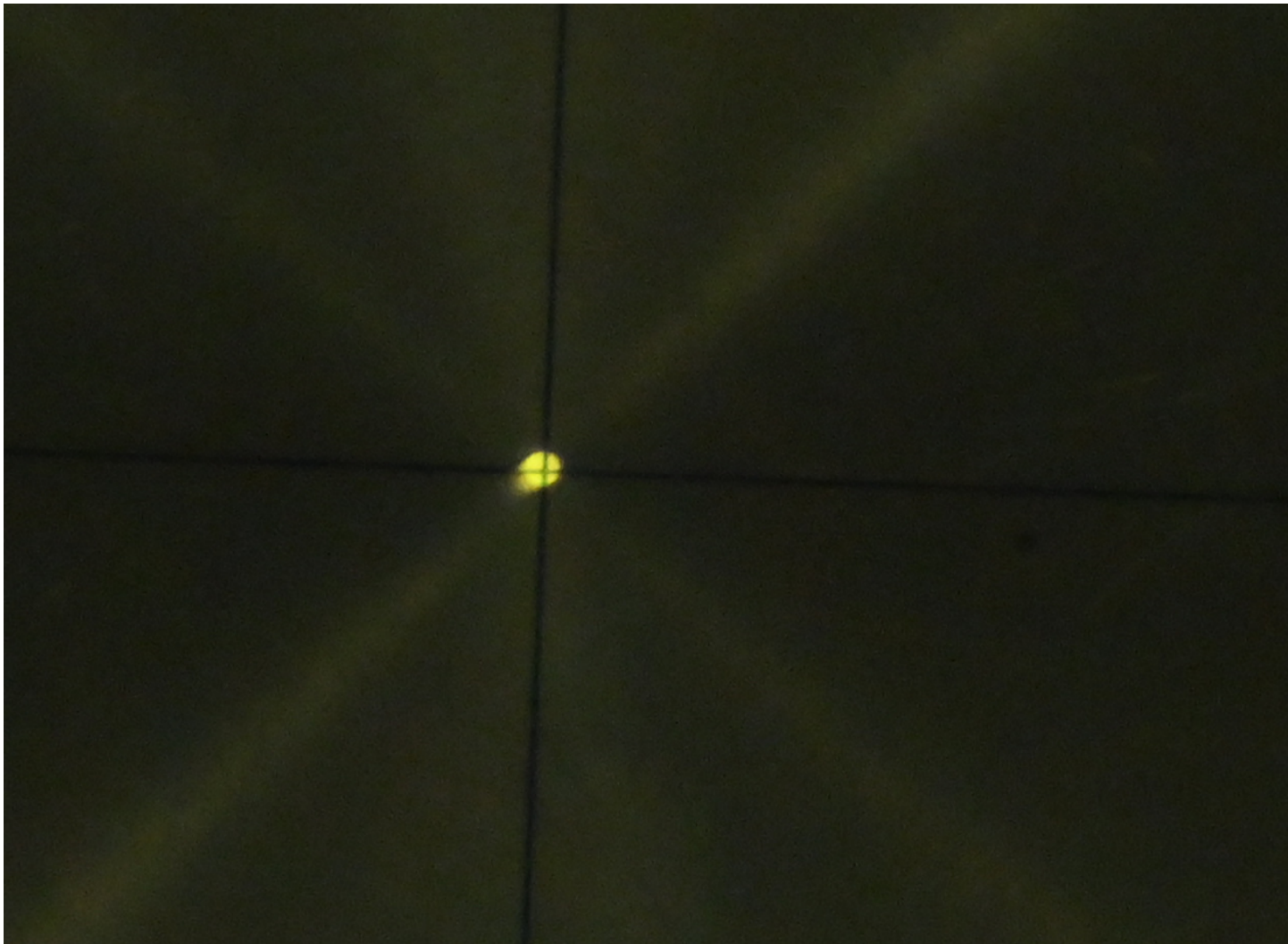
Alignment telescope was set 11' away from alignment stand.

Front element alignment

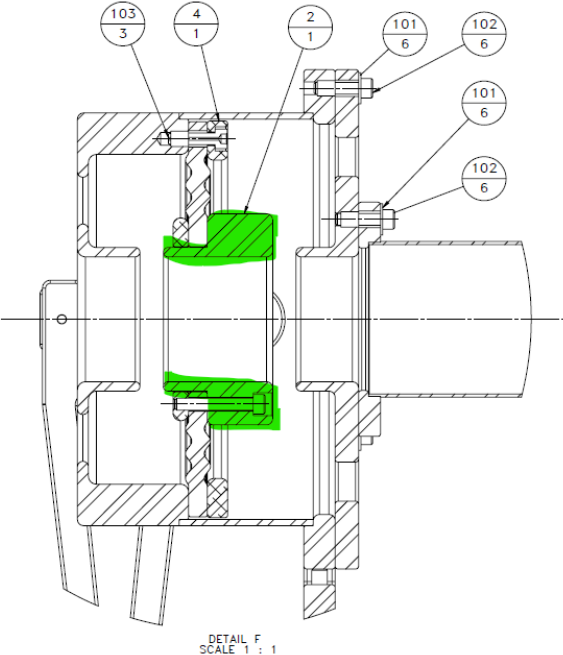
Front target after center element aligned. Crossing wires on center of aperture.

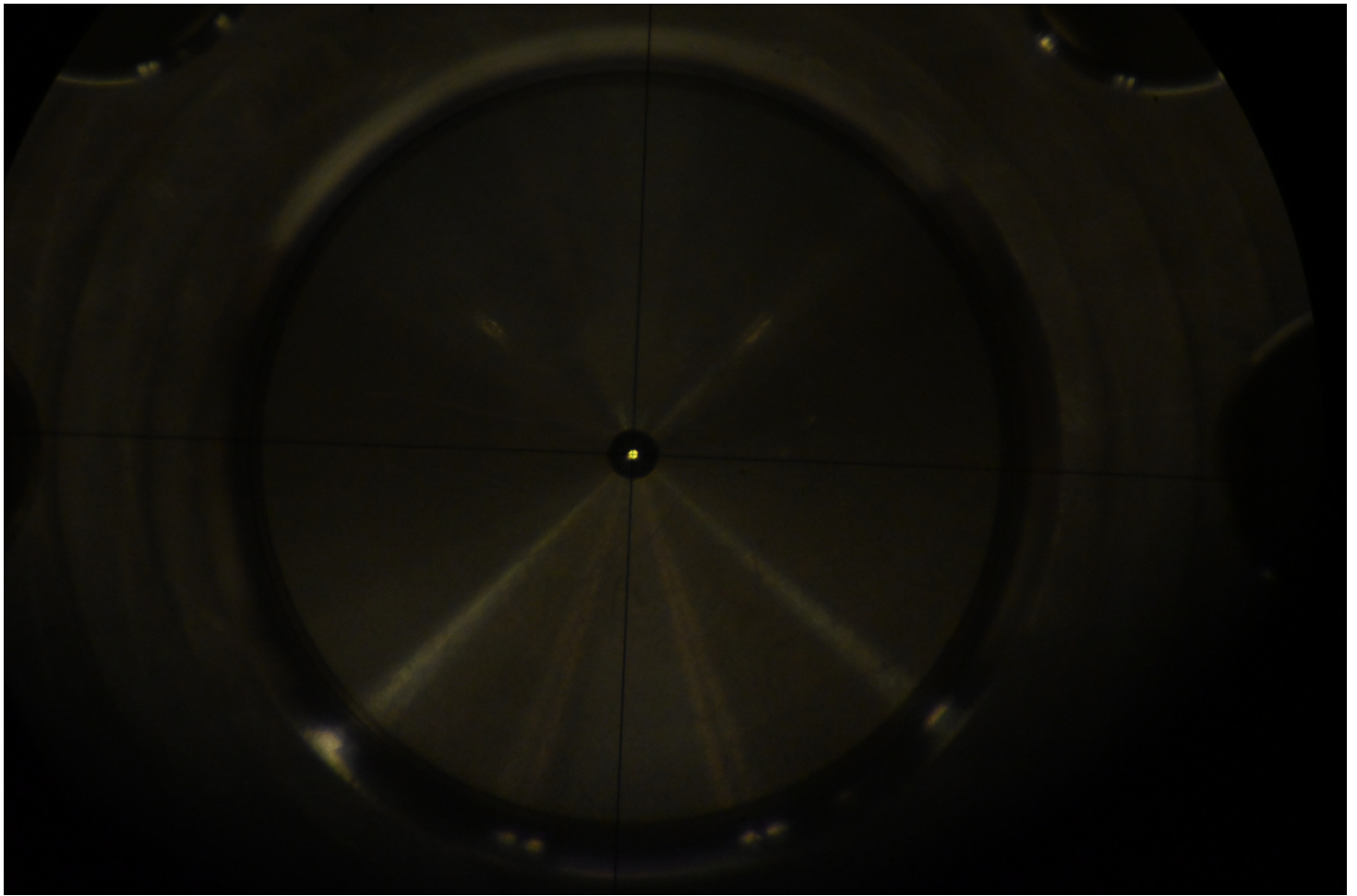






Center element alignment

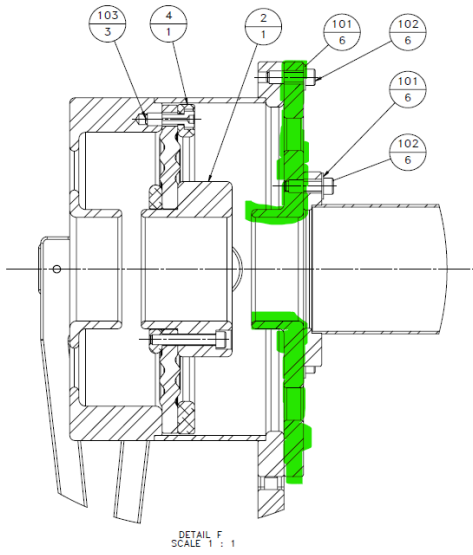




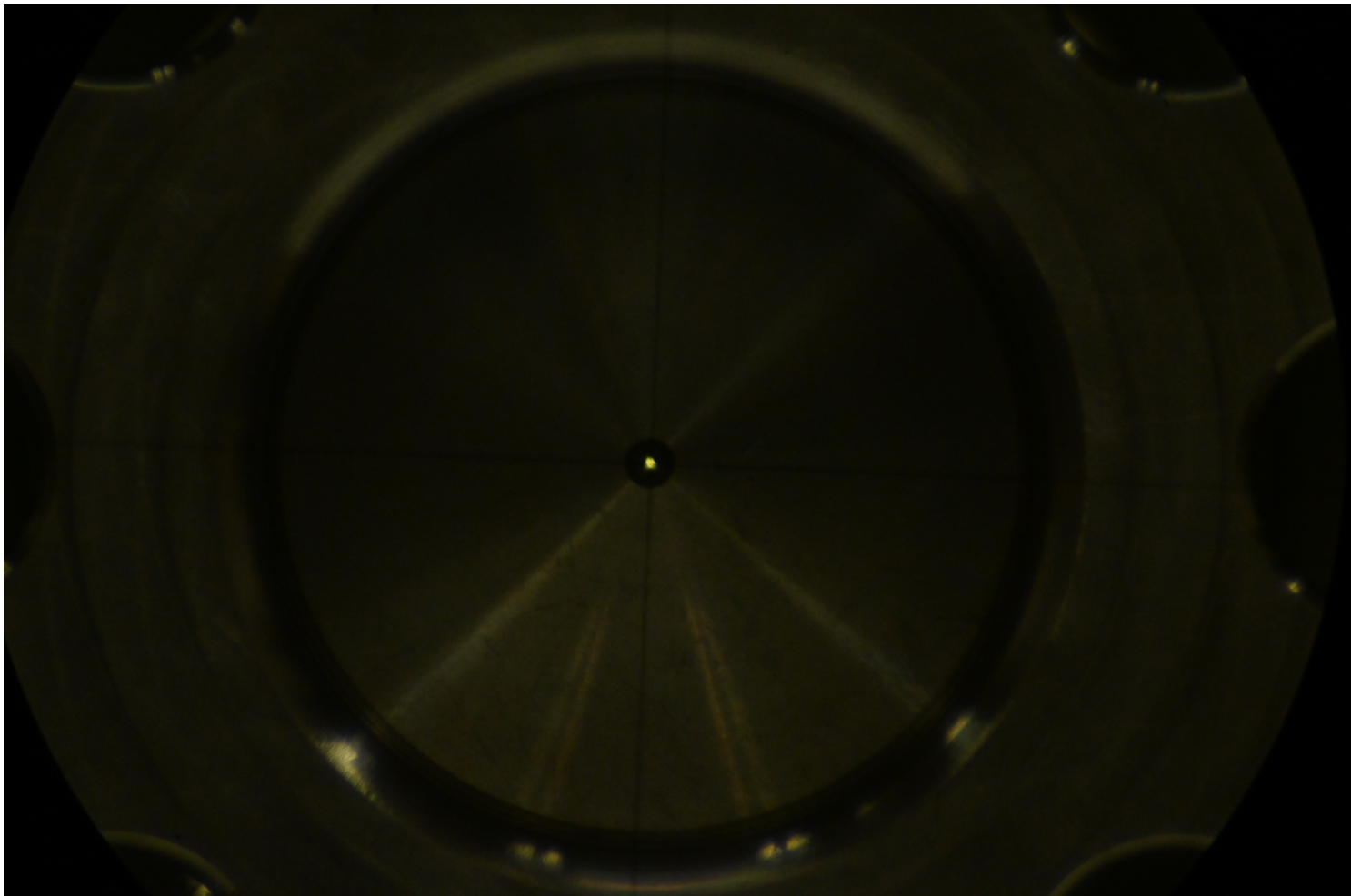


Crossing wires are on center, photo does not show properly.

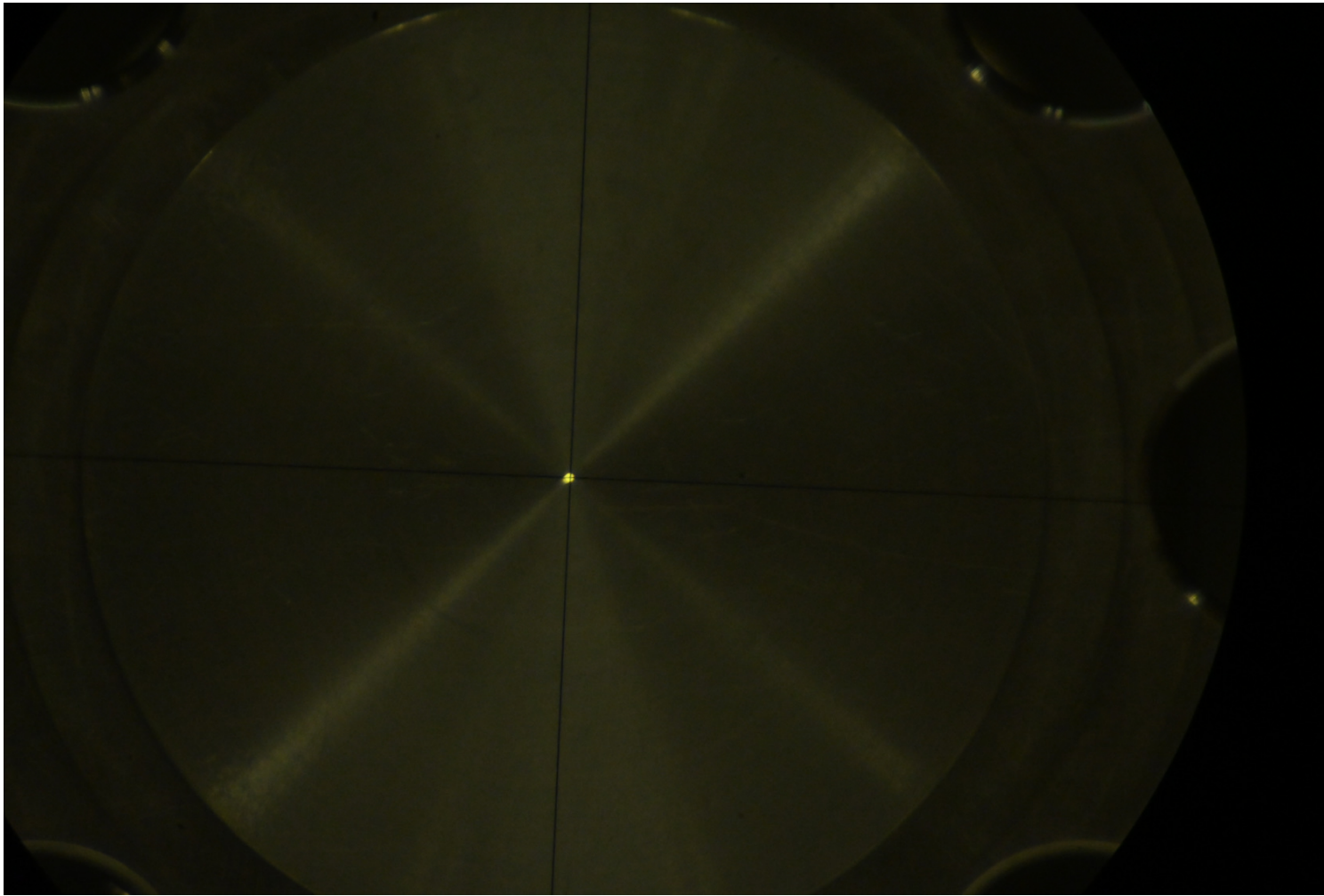
Rear element alignment



Rear element after front and center element aligned, crossing wires on center of aperture.



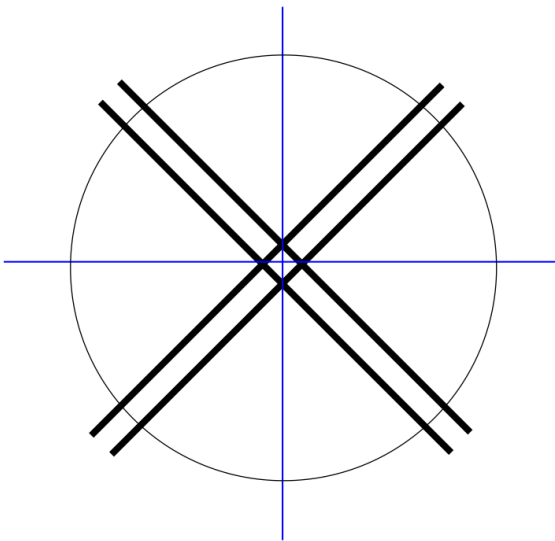
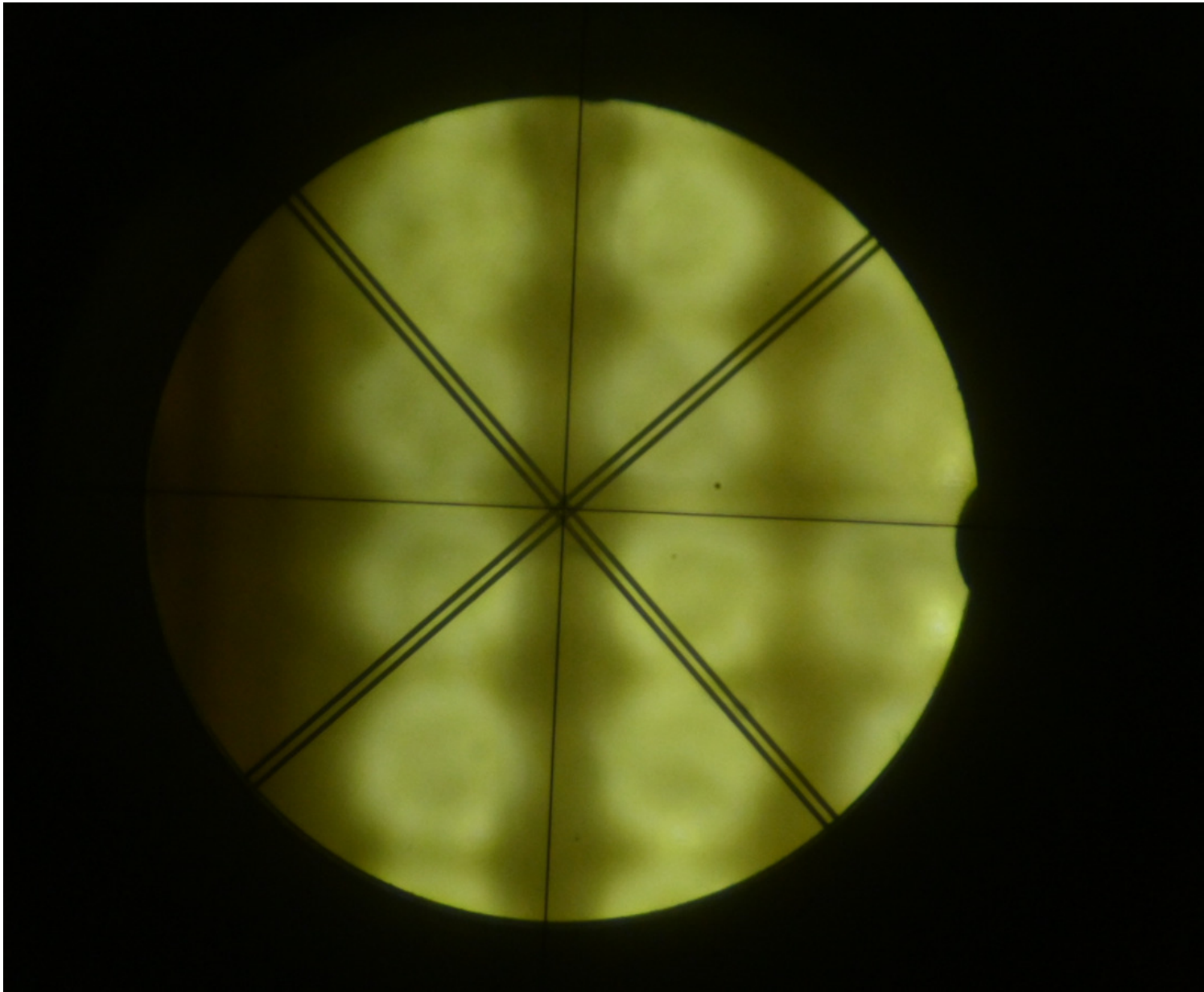
Front element final check, after center and rear elements aligned.



Primary alignment fixture (aka master target jig)

Re check primary alignment fixture after removing the optics tray from alignment stand.

Rear target. Target is on center and low. Note that this was the same at the start of alignment.



Front target. Target is low and to the right.

