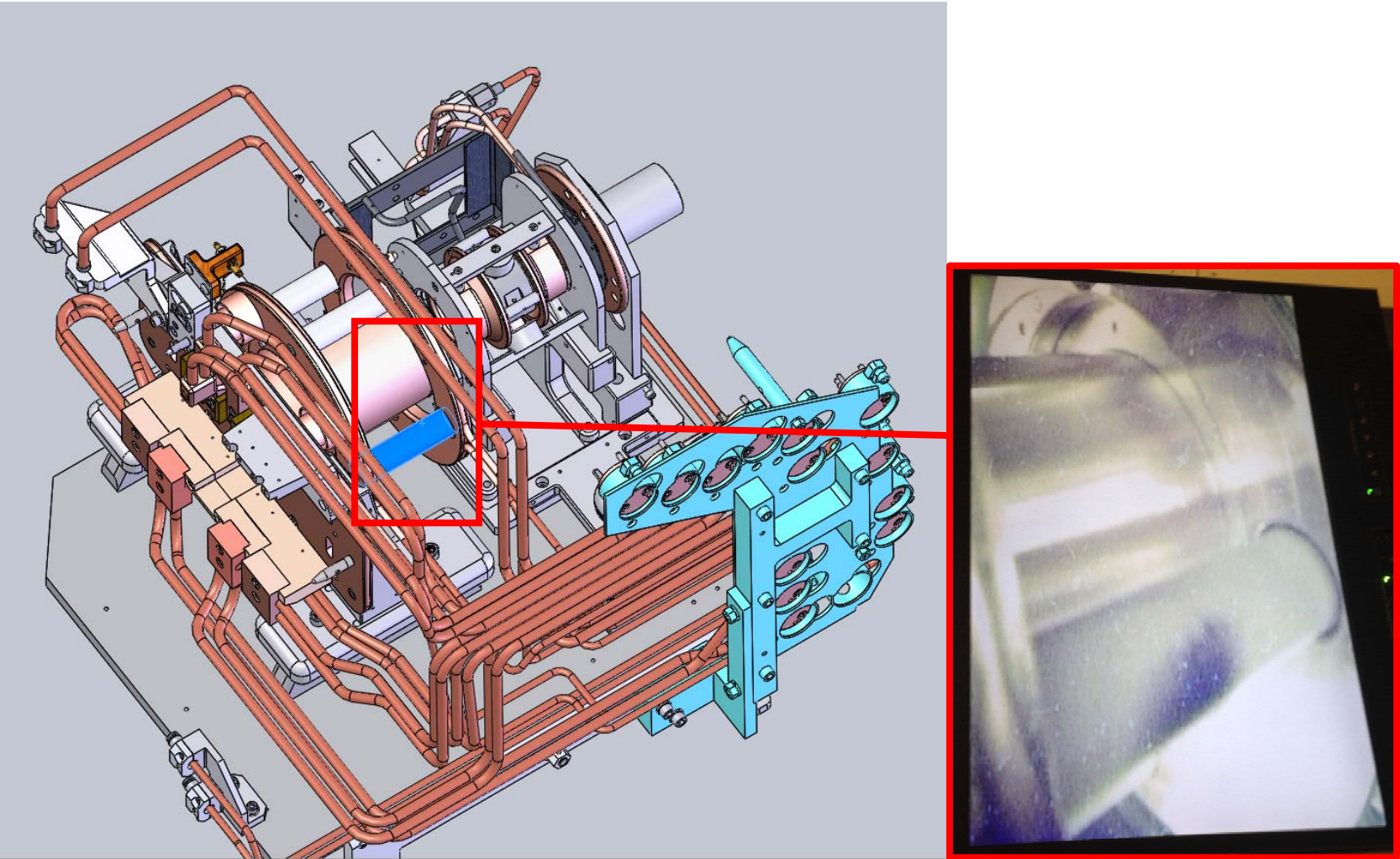
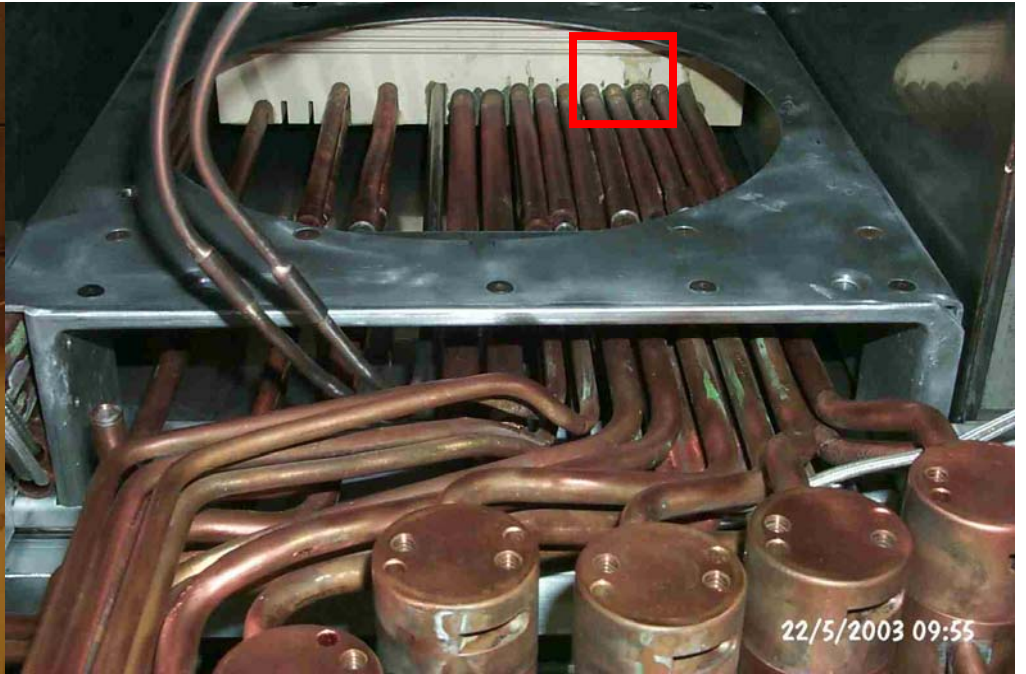


TM2 2017-09-21



Discoloration / burn mark on insulator between Extraction Electrode and Ground Electrode



Dirt / epoxy on insulator in service tray as built