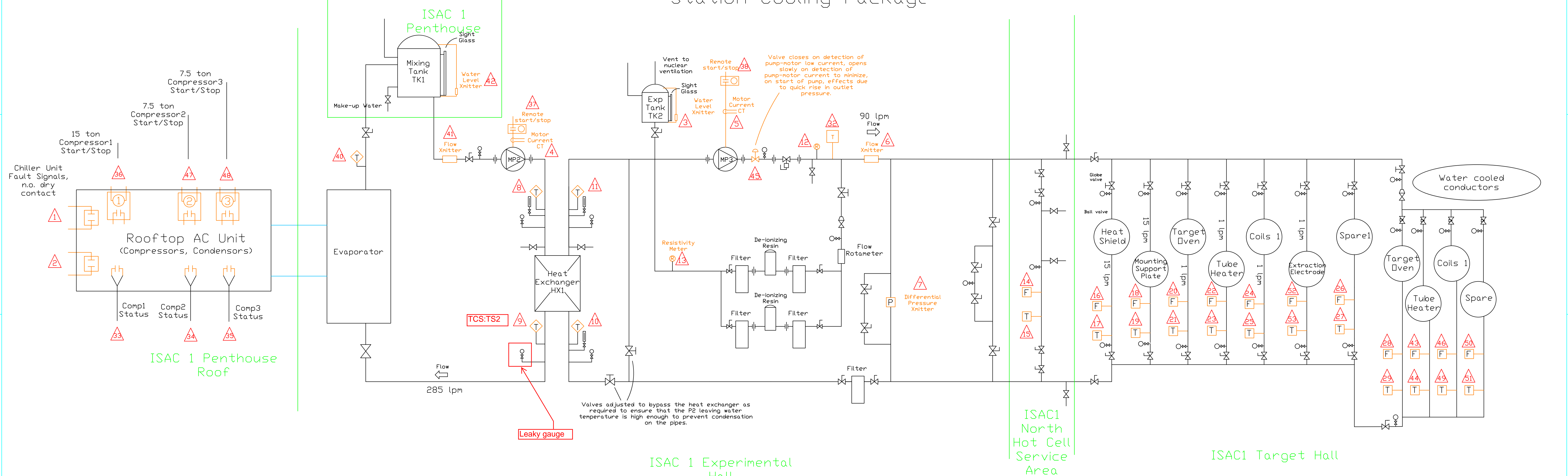


ISAC 1 North Hot Cell Conditioning Station Cooling Package



ORIENTATION OF SYMBOLS (IE ROTATED 90 DEGREES) DOES NOT EFFECT THEIR MEANING

	TEMPERATURE SENSOR
	BALL VALVE
	PRESSURE SENSOR
	GLOBE VALVE
	GENERIC VALVE USED FOR DRAIN POINT
	PRESSURE REGULATING VALVE
	BALLANCING VALVE
	NEEDLE VALVE
	BOLTED UNION OF PIPE

NOTES:
 1) INDICATES A CONTROLS INPUT/OUTPUT DEVICE. FOR A DETAILED LIST OF THE DEVICES SEE APPENDIX E IN 50275

TOLERANCES UNLESS OTHERWISE SPECIFIED		E		NOV 2013	ECO-3019 TIGHT POWER SUPPLIE REMOVED	BM	FA
FRACTIONS ±		D		FEB 2013	ECO-2776 - MISSING EE COOLED CIRCUIT	BM	PB
DECIMALS .XX ±		C		JAN 2013	ECO-2736 - REFLECTS AS BUILT, FLOW, TEMP SENS ADDED	BM	PB
ANGULAR .XXX ±		B		MAR 2011	ECO-2535 - DEVICES AND MODELS ADDED	BM	PB
SURFACE FINISH μin		A		DEC 2011	ECO-2491 - CHANGE CONTRDL APPLIES	BM	PB
ALL DIMS IN INCHES		REV	DATE	LOC	REVISION DESCRIPTION	BY	APP'D
DESIGNED ROB WALKER	SPREAD SHEET	TRIUMF 4004 WESBROOK MALL VANCOUVER, BRITISH COLUMBIA CANADA V6T-2A3 CANADA'S NATIONAL LABORATORY FOR PARTICLE AND NUCLEAR PHYSICS					
DRAWN ROB WALKER	SUB-ASSY:	COOLING SCHEMATIC NORTH HOTCELL CONDITIONING STATION ISAC-1					
CHECKED ROB WALKER	ASSEMBLY:	SCALE AS NOTED		DWG NO.		REV	
REA #		DATE DEC. 2011		THIRD-ANGLE PROJECTION		IRH1056D E	