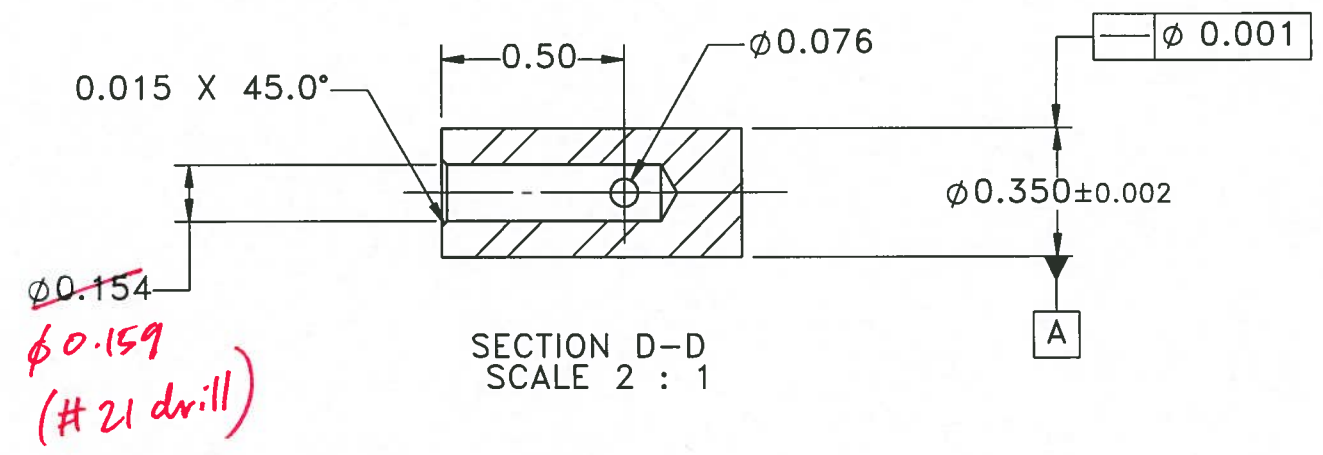


a b c d

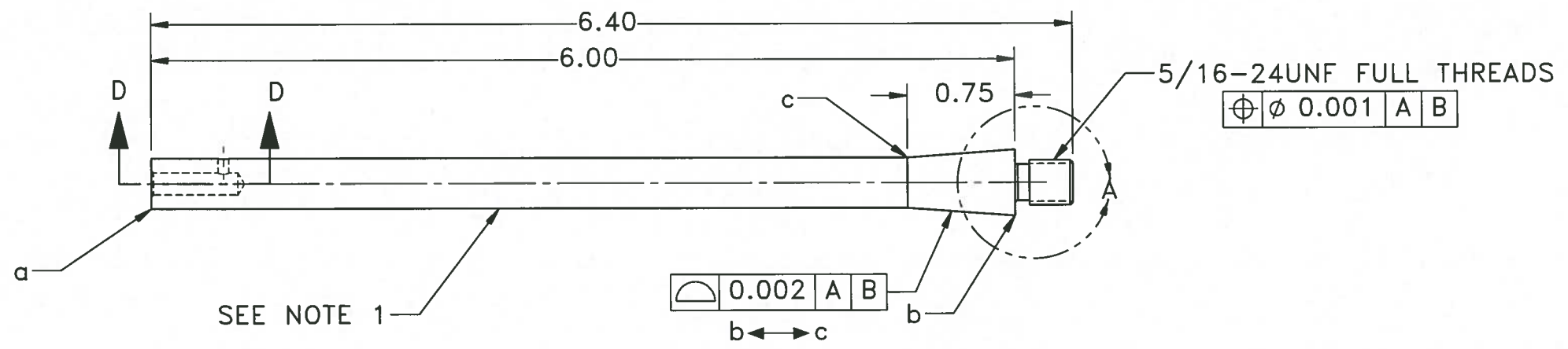
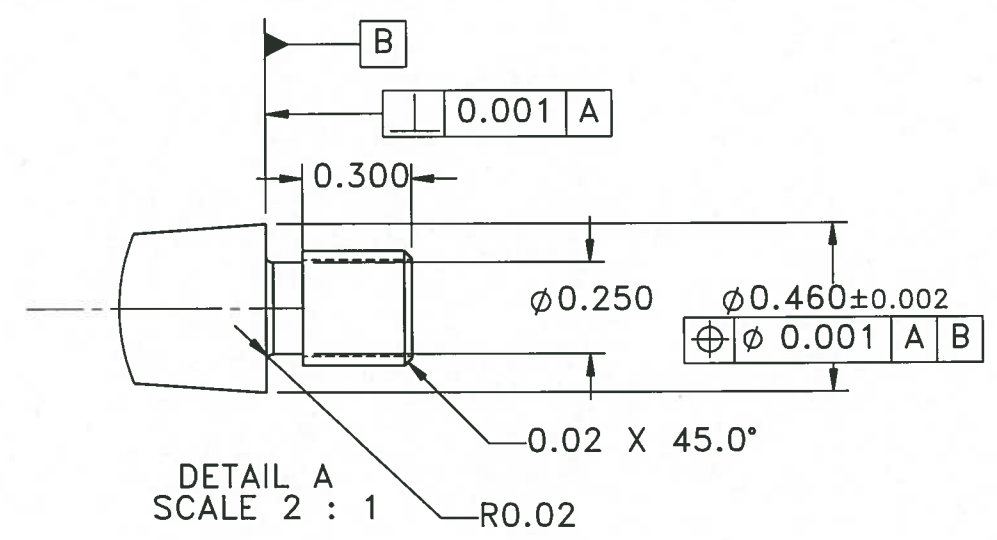
ITEM	DESCRIPTION	MATERIAL	QTY.
1	DIA 0.460 X 6.40	AISI 304	1

DIMENSIONS QUOTED ARE FINISHED DIMENSIONS, NO ALLOWANCE HAS BEEN MADE FOR MANUFACTURE.

REMOVE ALL BURRS AND SHARP EDGES



~~0.154~~  
0.159  
(#21 drill)  
APR 21 2015  
G.MANOR



NOTES:  
1. SURFACE FINISH OF 8 μin REQUIRED ON SURFACE BETWEEN a AND b.

TOLERANCES UNLESS OTHERWISE SPECIFIED		
DECIMALS	.X	± 0.1
	.XX	± 0.01
	.XXX	± 0.005
ANGULAR		± 1.0°
SURFACE FINISH		63 μ inch

ALL DIMS IN INCHES

REV	DATE	REVISION DESCRIPTION	BY	APPD
A	4/24/2014	ECO-3255 CHANGE CONTROL APPLIES	David Wang	F.AMES



**TRIUMF**  
4004 WESBROOK MALL  
VANCOUVER, BRITISH COLUMBIA  
CANADA V6T-2A3

CANADA'S NATIONAL LABORATORY FOR PARTICLE AND NUCLEAR PHYSICS

DO NOT COPY, THIS DOCUMENT CONTAINS PROPRIETARY INFORMATION  THIS DRAWING, SUBJECT MATTER AND INFORMATION CONTAINED THEREIN, IS THE SOLE, EXCLUSIVE AND CONFIDENTIAL PROPERTY OF TRIUMF LABORATORY, AND AS SUCH, SHALL NOT BE DISCLOSED, COPIED, REPRODUCED OR USED, IN WHOLE OR IN PART, WITHOUT EXPRESSED WRITTEN PERMISSION OF THE TRIUMF LABORATORY OR ITS REPRESENTATIVES.	DESIGNED B.MOSS	SUB-ASSY
	DRAWN D.WANG M.ILAGAN	
	CHECKED B.MOSS	ASSEMBLY
	REA/WPN # 2351	ITA6082
	TRACKING # P0347	

BIAS TUBE MKIV OPTICS TRAY ASSEMBLY ISAC TARGET MODULE		SCALE 1:1	THIRD-ANGLE PROJECTION	DWG NO. ITA6092	SIZE B	SHEET 1 OF 1	REV A
DATE 2014-03-13							

a b c d