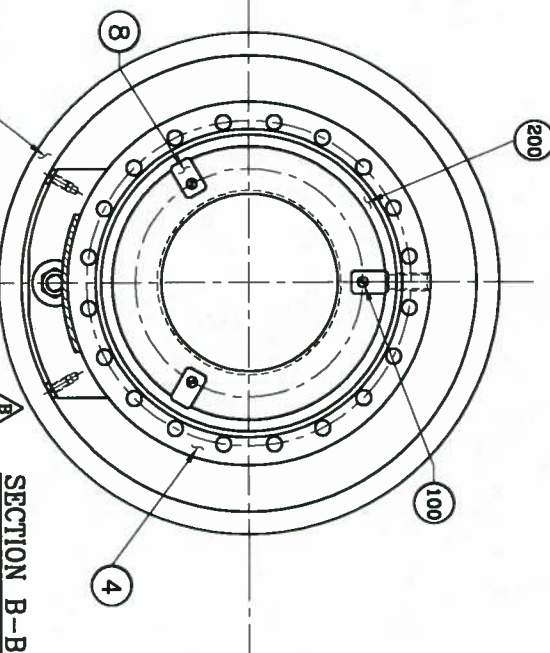
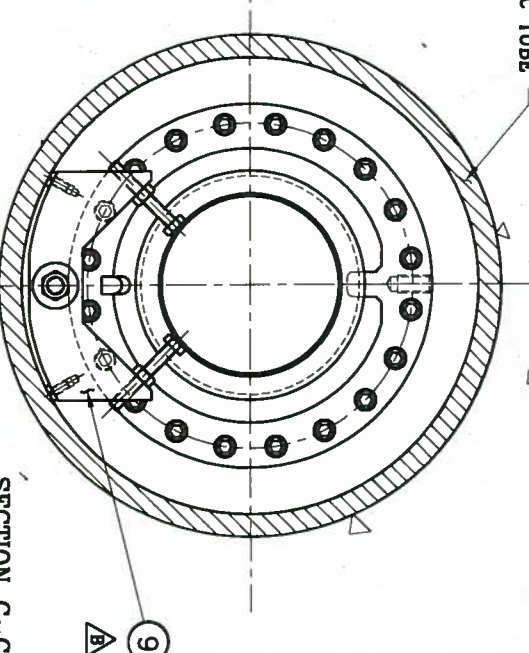


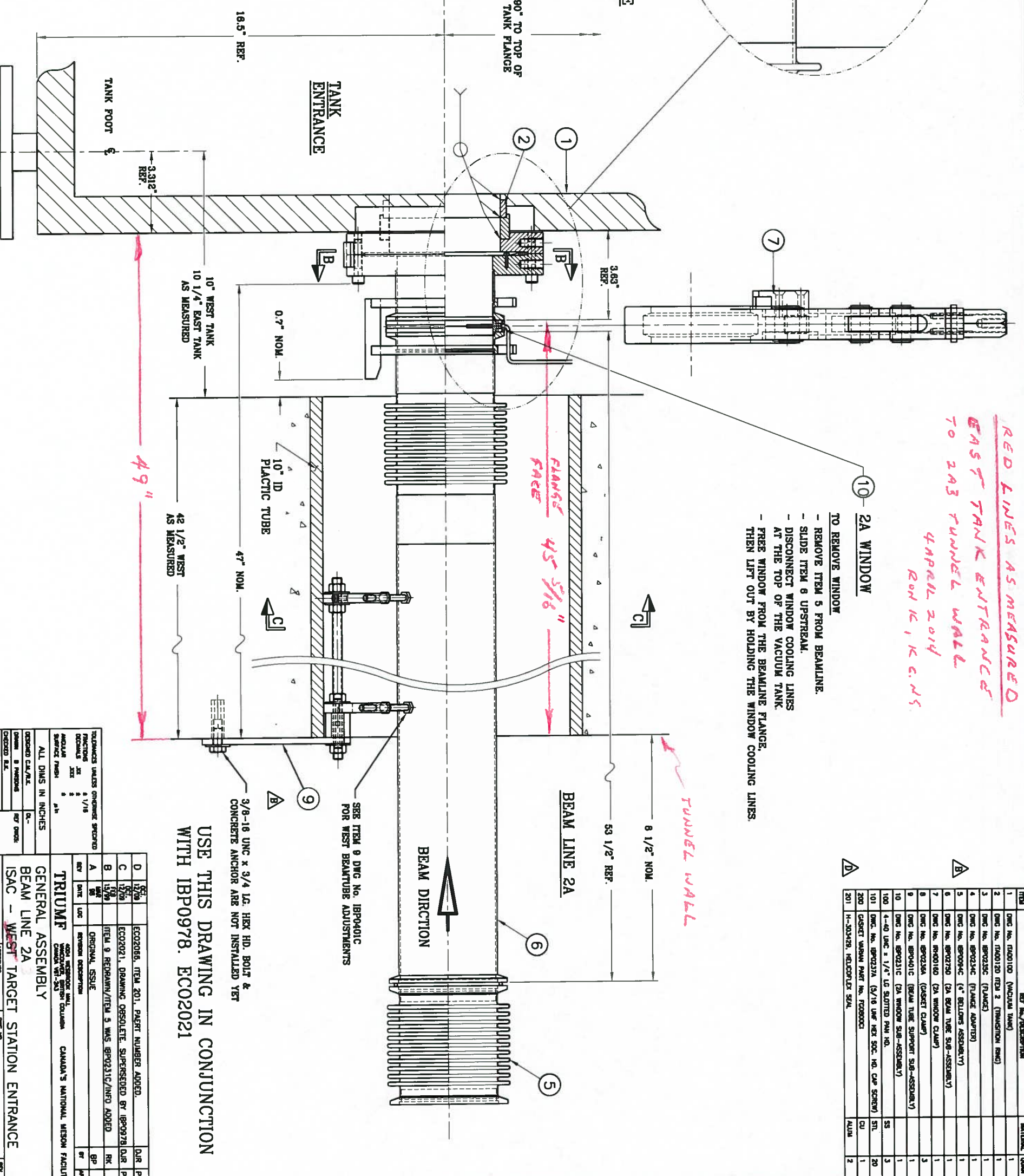
DETAIL A
FULL SCALE



SECTION B-B



SECTION C-C



*RED LINES AS MEASURED
EAST TANK ENTRANCE
TO 2A3 TUNNEL WALL
APRIL 2014
RON K, K.C.N.S.*

- 10 2A WINDOW**
- TO REMOVE WINDOW
 - REMOVE ITEM 5 FROM BEAMLINE.
 - SLIDE ITEM 6 UPSTREAM.
 - DISCONNECT WINDOW COOLING LINES AT THE TOP OF THE VACUUM TANK.
 - FREE WINDOW FROM THE BEAMLINE FLANGE, THEN LEFT OUT BY HOLDING THE WINDOW COOLING LINES.

ITEM	REF. NO./DESCRIPTION	MATERIAL	QTY
1	DWG NO. TR00100 (VACUUM TANK)		1
2	DWG NO. TR00120 ITEM 2 (TRANSITION RING)		1
3	DWG NO. BR0233C (FLANGE)		1
4	DWG NO. BR0234C (FLANGE ADAPTER)		1
5	DWG NO. BR0204C (4 BELLOWS ASSEMBLY)		1
6	DWG NO. BR0275D (2A BEAM TUBE SUB-ASSEMBLY)		1
7	DWG NO. BR0018D (2A WINDOW CLAMP)		1
8	DWG NO. BR0235A (CASSET CLAMP)		3
9	DWG NO. BR0401C (BEAM TUBE SUPPORT SUB-ASSEMBLY)		1
10	DWG NO. BR0231C (2A WINDOW SUB-ASSEMBLY)		1
100	4-40 LINC 2 1/4" LG SLOTTED PAN HD.	SS	3
101	DWG NO. BR0232A (3/16 LINC HEX SOC. HD. CAP SCREW) STL.	STL	20
200	CASSET WINDOW PART NO. TR00800	CU	1
201	H-303459, HELICOPTER SEAL	ALUM	2

USE THIS DRAWING IN CONJUNCTION
WITH IBP0978. EC02021

REV	DATE	LOC	REVISION DESCRIPTION	BY	CHKD
D	12/09		ECO20208, ITEM 201, PART NUMBER ADDED.		
C	12/09		ECO20201, DRAWING OBSOLETE, SUPERSEDED BY IBP0978 DUR PG.		
B	12/09		ITEM 9 REDRAWN/ITEM 5 WAS BR0231C/INFO ADDED		
A			ORIGINAL ISSUE		

TRUMP
GENERAL ASSEMBLY
BEAM LINE 2A
ISAC - WEST TARGET STATION ENTRANCE

SCALE: 1:2
DATE: MARCH 24 1998
APPROVED: [Signature]
DWG NO.: IBP0277D