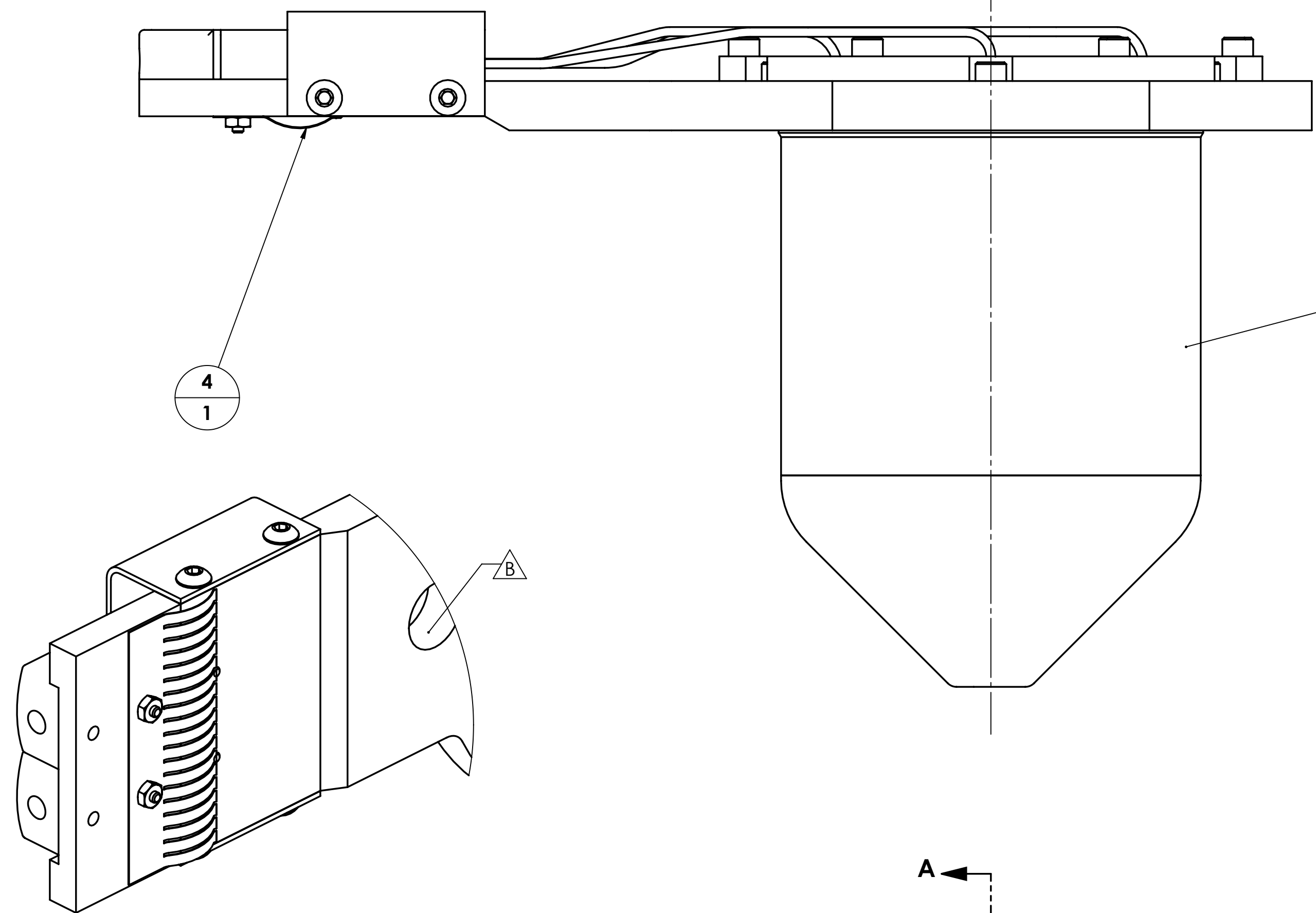
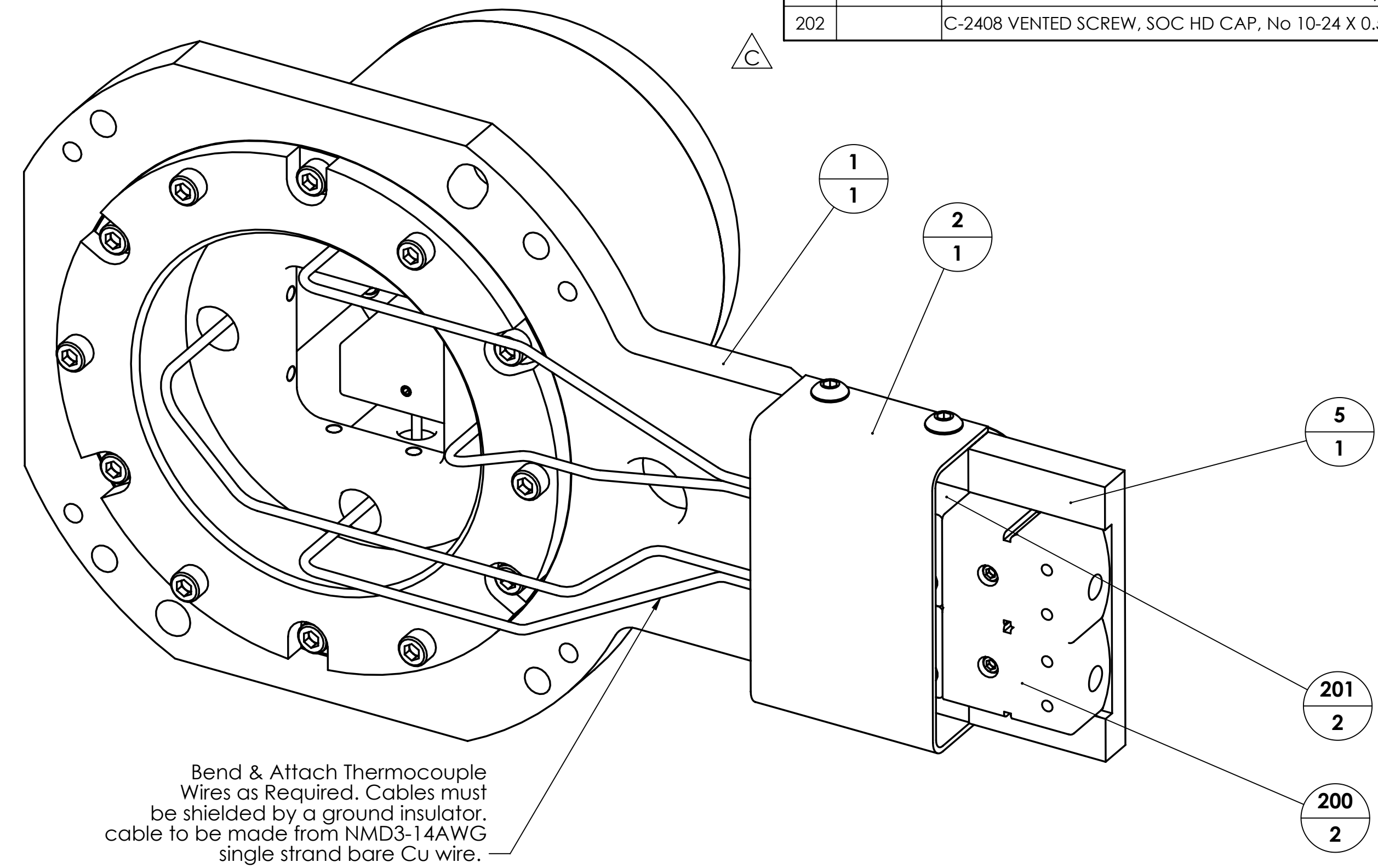
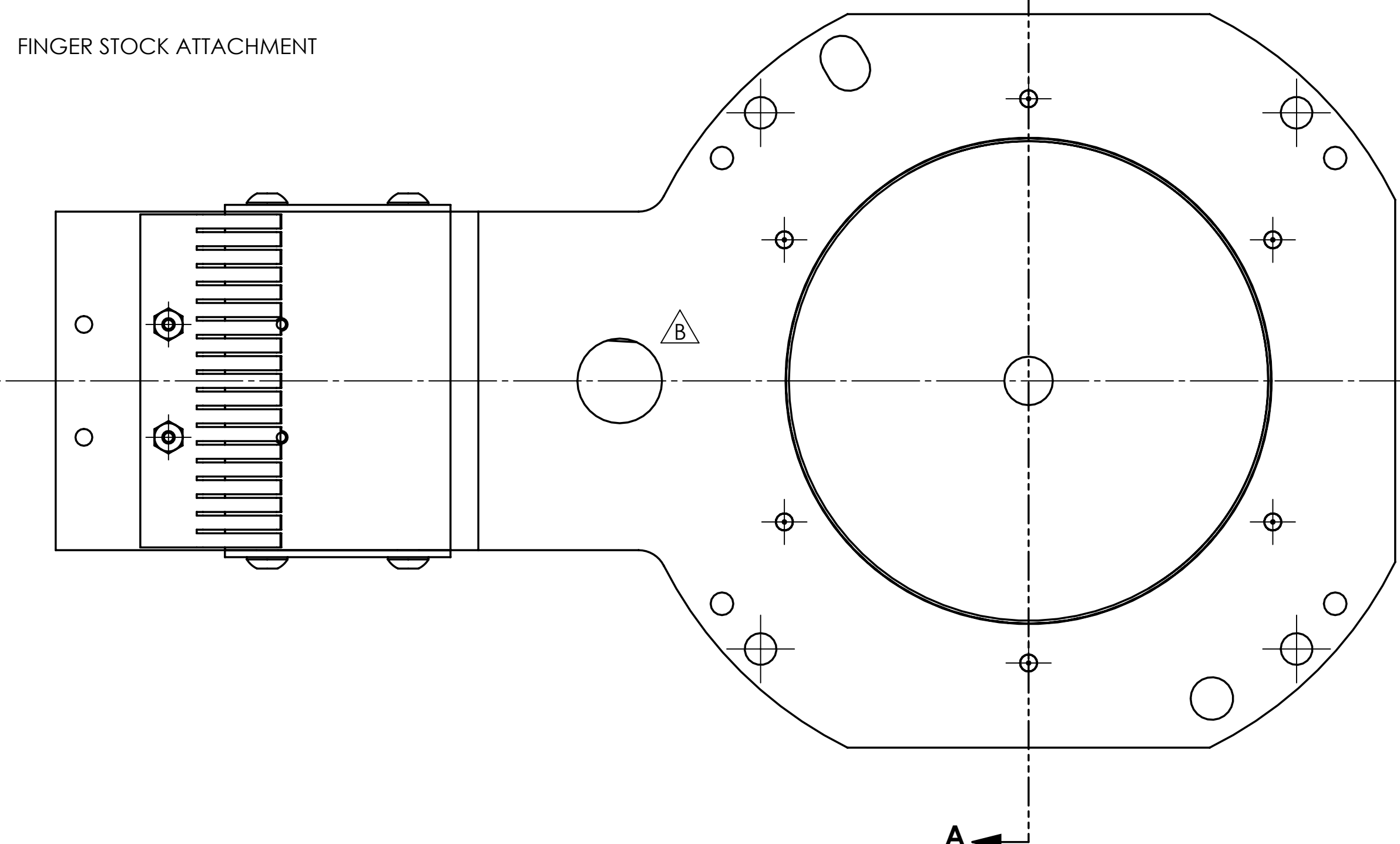


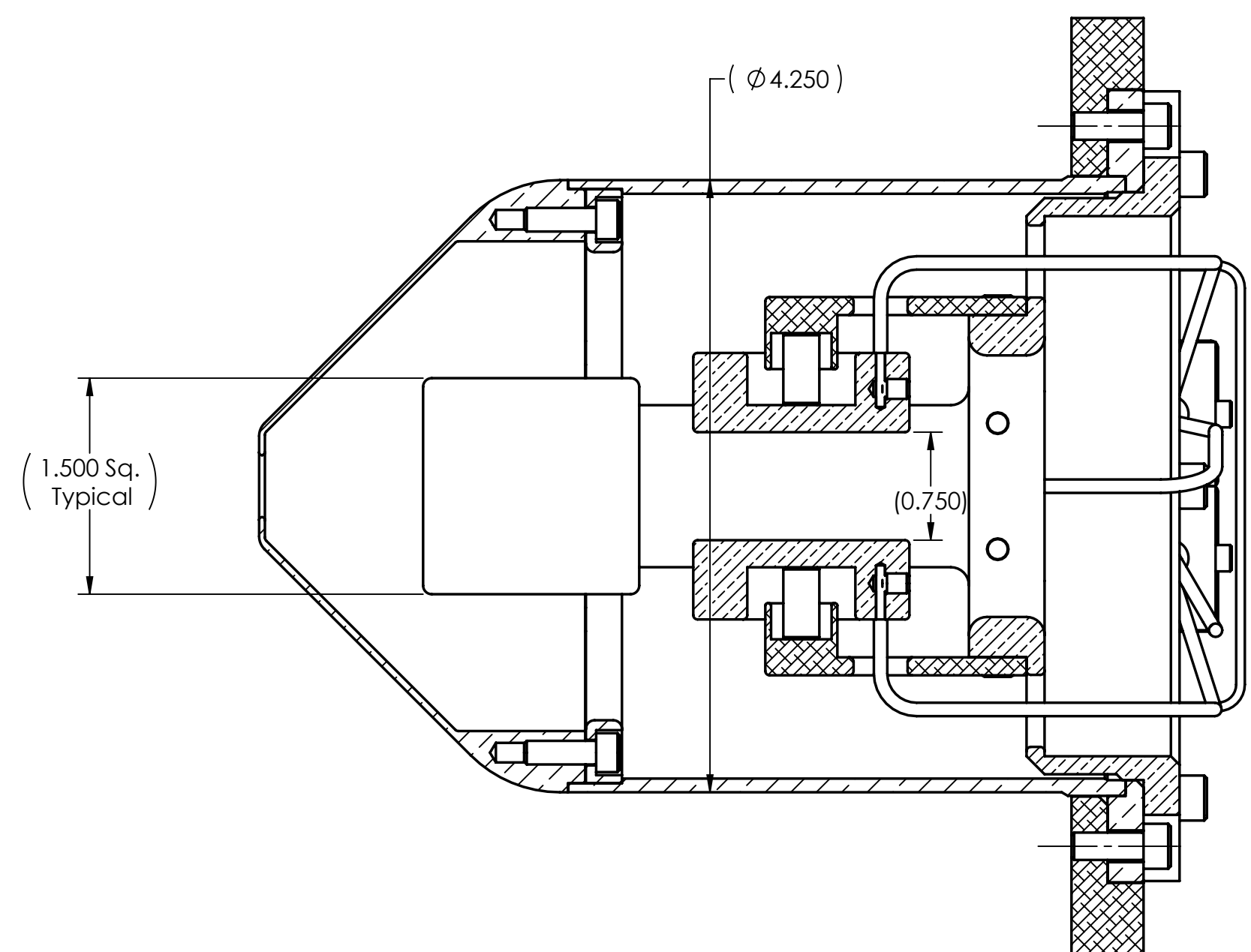
ITEM	REF No.	DESCRIPTION	MATERIAL	QTY.
1	ITA2828	STEERER MOUNTING FLANGE DETAIL	6061 Alloy	1
2	ITA2829	COVER PLATE DETAIL	6061 Alloy	1
3	ITA2827	STEERER HOUSING SUB-ASSEMBLY		1
4	ITA2831	FINGER STOCK DETAIL	EIMAC	1
5	ITA2830	THERMOCOUPLE PLUG MTG BRKT. DETAIL	6061 Alloy	1
100		SCREW, SOC HD CAP, No4-40 X 0.875 LG	SST	4
101		SCREW, SOC BUTTON HD, No 10-24 X 0.38	SST	4
200		Male Connector "OMEGA" Type NHX or NHXH		2
201		THERMOCOUPLE CONNECTOR - FEMALE, OMEGA Type MHX or NHXH		2
202		C-2408 VENTED SCREW, SOC HD CAP, No 10-24 X 0.50	U-C COMPONENTS	6



FINGER STOCK ATTACHMENT



Bend & Attach Thermocouple Wires as Required. Cables must be shielded by a ground insulator. cable to be made from NMD3-14AWG single strand bare Cu wire.



SECTION A-A  
SCALE 1:1

REV	DATE	ZONE	REVISION DESCRIPTION	APPROVED
D	10/17/2006		ITEMS 4 & 5 IN BILL OF MATERIALS MISSING DRAWING NUMBERS. SEE ECO1219.	P. BRICAULT
C	8/31/2006	E/1,2	ITEM 202 ADDED, SCREW WAS NON-VENTED. SEE ECO1169	P. BRICAULT
B	MAY 2/06	C/4	0.75 DIA HOLE ADDED PER ECO979	P. BRICAULT
A	DEC. 7/05		ORIGINAL ISSUE	P. BRICAULT

TOLERANCES UNLESS OTHERWISE SPECIFIED	
DECIMALS	.X ± 0.1
	.XX ± 0.01
	.XXX ± 0.005
ANGULAR	± 0.5°
SURFACE FINISH	125 µ inch

**TRIUMF**  
 4004 WESBROOK MALL  
 VANCOUVER, BRITISH COLUMBIA  
 CANADA V6T-2A3

CANADA'S NATIONAL LABORATORY FOR PARTICLE AND NUCLEAR PHYSICS

DO NOT COPY, THIS DOCUMENT CONTAINS PROPRIETARY INFORMATION

THIS DRAWING, SUBJECT MATTER AND INFORMATION CONTAINED THEREIN, IS THE SOLE, EXCLUSIVE AND CONFIDENTIAL PROPERTY OF TRIUMF LABORATORY, AND AS SUCH, SHALL NOT BE DISCLOSED, COPIED, REPRODUCED OR USED, IN WHOLE OR IN PART, WITHOUT EXPRESSED WRITTEN PERMISSION OF THE TRIUMF LABORATORY OR ITS REPRESENTATIVES.

ALL DIMS IN INCHES	
DESIGNED D. ROSS	ITA3125
DRAWN David Ross	
CHECKED L.UDY	NEXT ASSY: ITA28200
REA # I-331	
TRI-DN-	

**STEERER HOUSING ASSEMBLY  
 FEBIAD SURFACE SOURCE  
 ISAC TARGET STATION**

SCALE 1:2  
 DATE NOV. 4/05

DWG NO. ITA2826  
 SIZE D  
 SHEET 1 OF 1  
 REV DO2