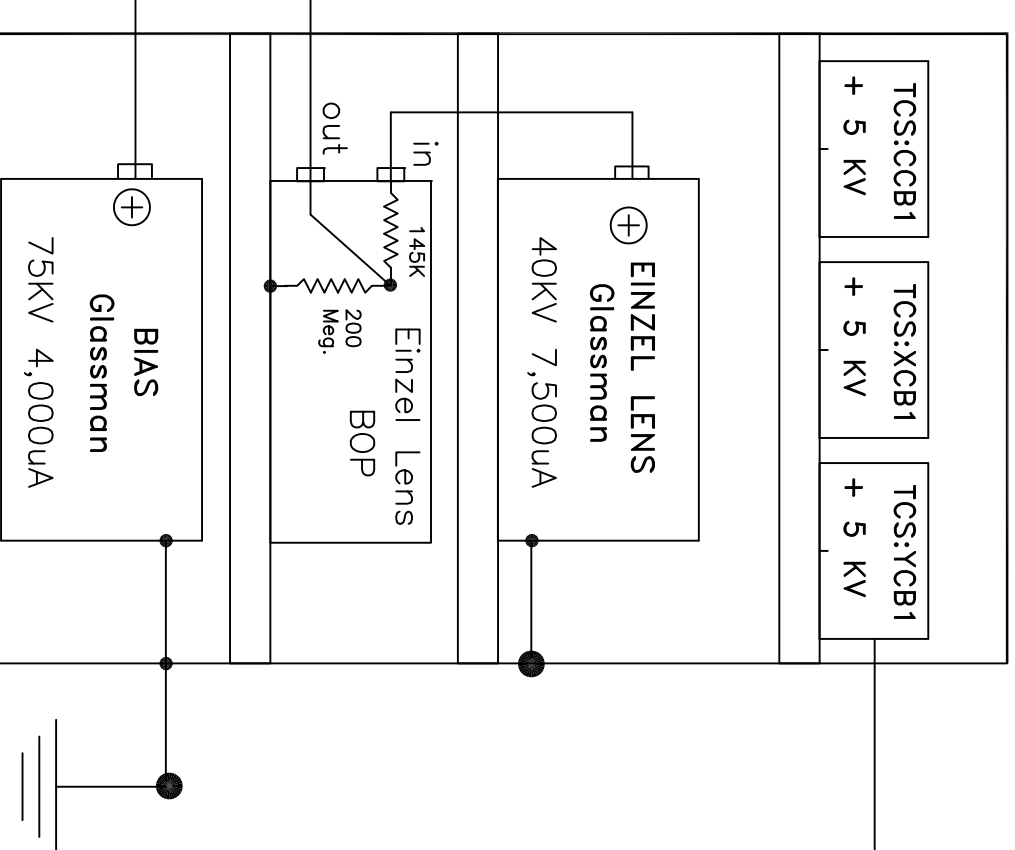


1. R1 to R5 = 200 Ohm
2. R6 & R7 = 100 Ohm
3. G1 & G2 = Gemov 33 Volts
4. C1 to C4 = 0.15 uF, 3000 Vdc
5. G3 = Gemov 18 Volts
6. R8 = 100K
7. G4 = Gemov 1000 Volts
8. Spark Gap for EE set to 6.5KV
9. Local Current for EE PS set to 6mA
10. Water cooled high current cables about 50 feet long (#1 to #8)



TOLERANCES UNLESS OTHERWISE SPECIFIED		ECC-2746 - CHANGE CONTROL APPLIES	
DESIGNED BY	DATE	REVISION DESCRIPTION	BY
DRAWN BY	DATE		APPRD.
CHECKED BY	DATE		
SCALE	DATE		
ALL DIMS IN INCHES		CANADA'S NATIONAL LABORATORY FOR PARTICLE AND NUCLEAR PHYSICS	
ANGULAR SURFACE FINISH		TRUMF	
DESIGNED BY DUBE		CANADA WESTERN LAB	
DRAWN BY DUBE		VICTORIA BRANCH	
CHECKED FRIEDHELM AMES		CANADA V61-2A3	
REVISION		PARTICLE AND NUCLEAR PHYSICS	
REV	DATE	SCALE	DWG NO.
A	FEB 2013	N/A	IRH1511
DATE		THIRD-ANGLE PROJECTION	