

Figure 1: UC#8 on Assembly Jig

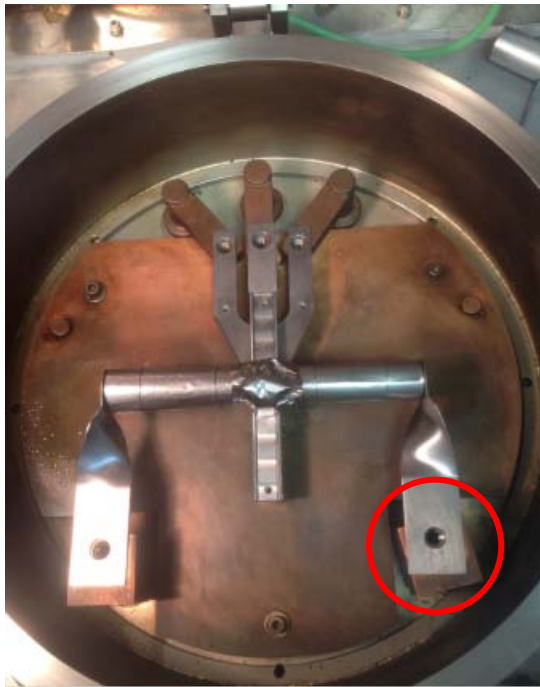


Figure 2: UC#6 in Evap1 with rotated conductor on right leg

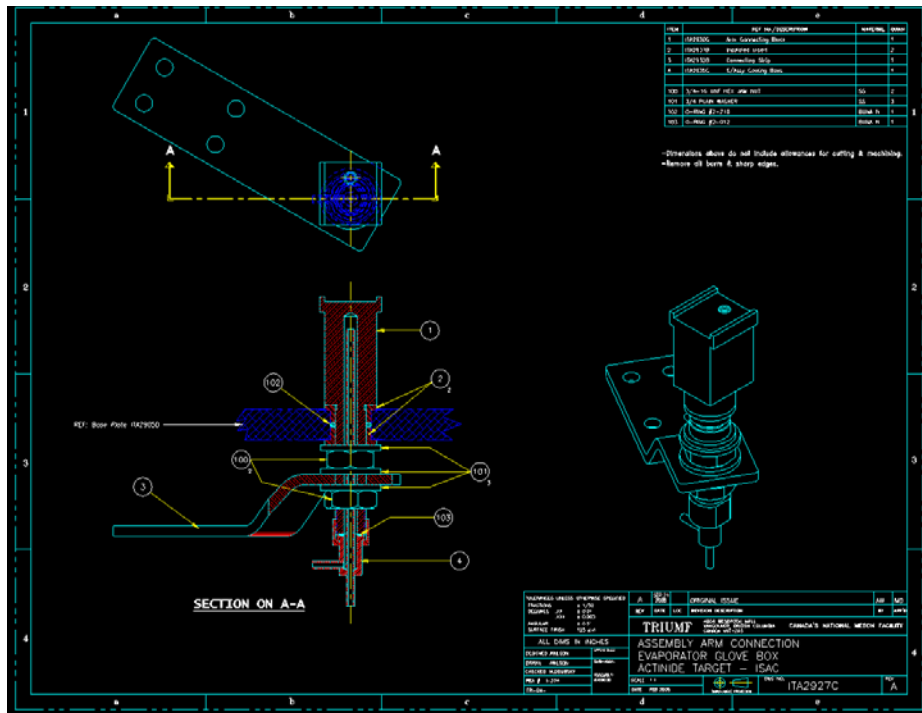


Figure 3: ITA2927 TGHT Conductor Assembly