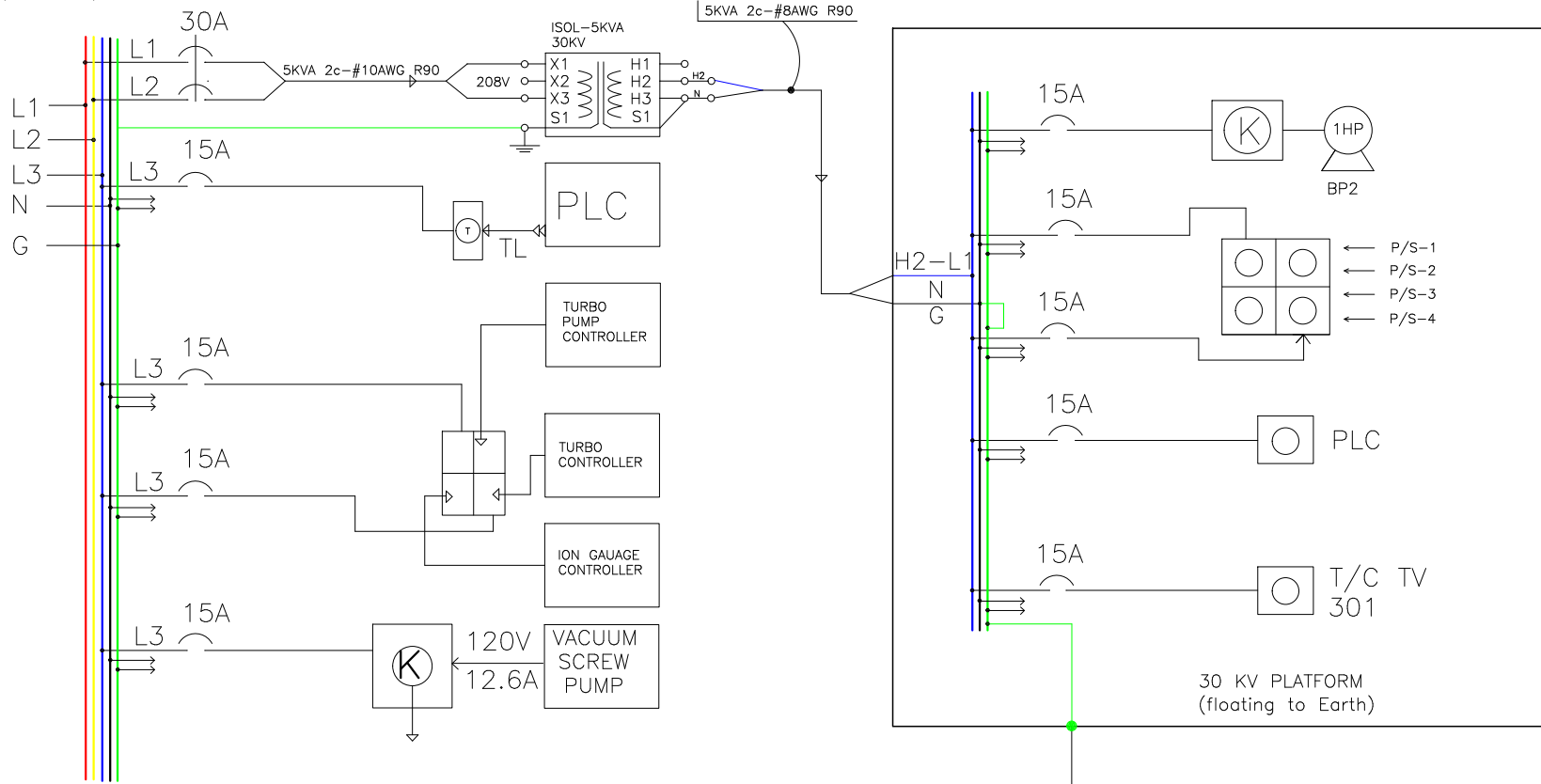


FROM P-438
30 A, 208 V, 3 ϕ

NOTE 1 H1 - 208 V
H2 - 115 V
H3 - COMMON
S2

NOTES

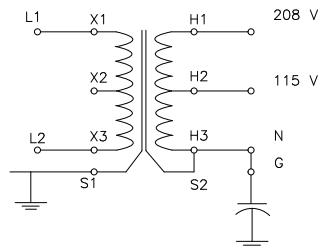
1. All wireways to be EMT unless otherwise specified.
2. Minimum wiring to be # 12 AWG R90.



GROUND VOLTAGE PLATFORM

30 KV PS (FUG)
LOC'D IN RACK NO_
(E OF OLIS CAGE)

NOTE 1



REV	DATE	REVISION DESCRIPTION	BY	APP'D
TRIUMF 4004 HERSHBERG MALL, VANCOUVER, BRITISH COLUMBIA, CANADA V6T-2A5 CANADA'S NATIONAL MESON FACILITY				
OLIS Supernanogan Ion Source Cart Electrical Diagram				
DRAWN	G.W./Ray Dube	APPROVED	DWG NO.	REV
DATE	16/09/2014		Cart-Power1	1