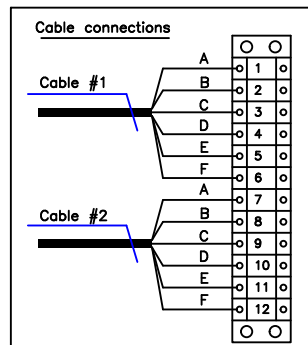
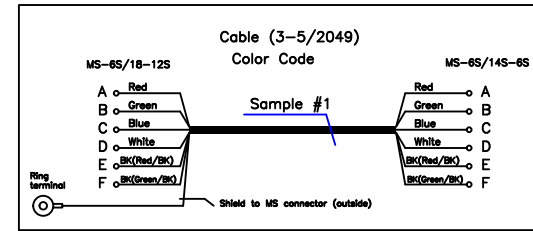
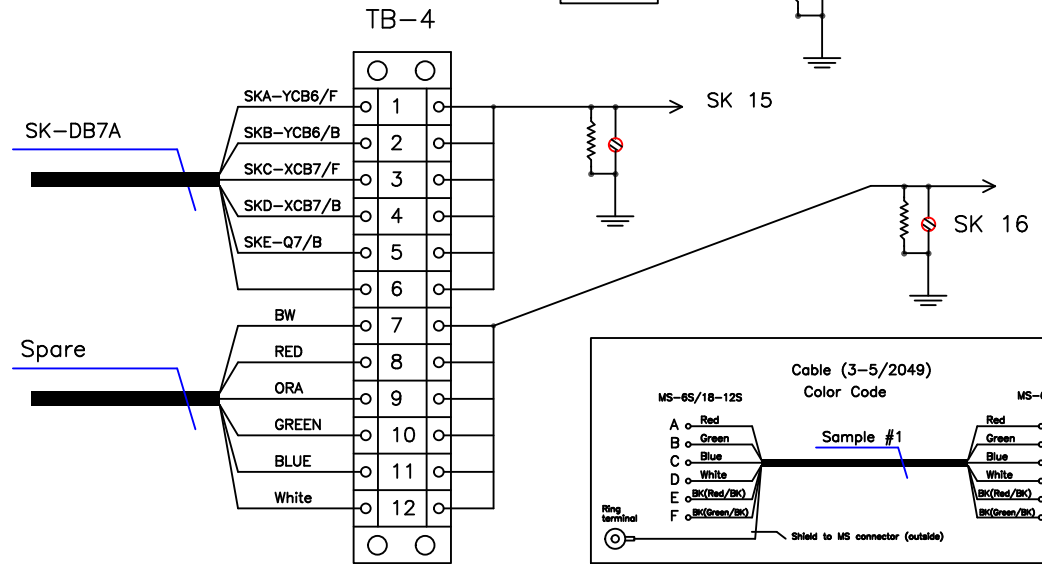
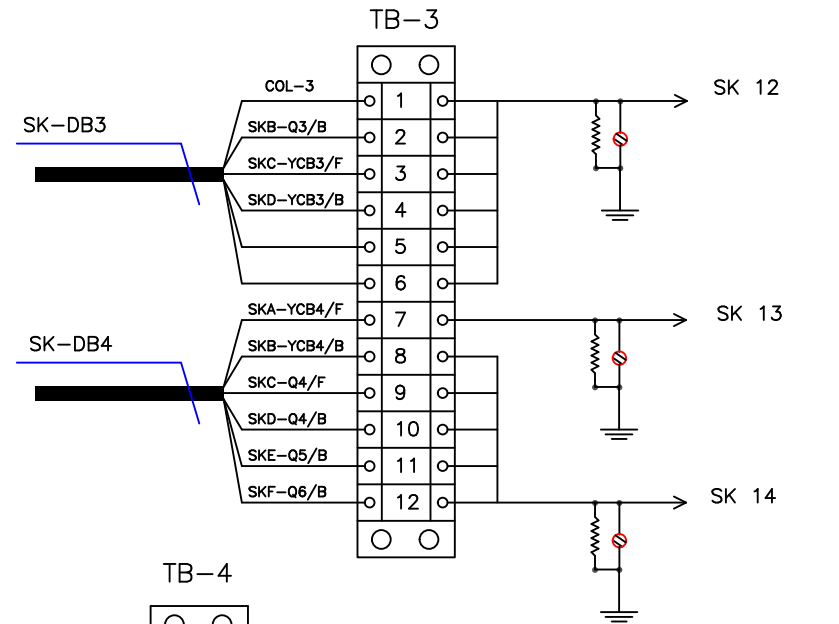


Ref: ISK4585D (OLIS - Optics)
 ISK4565D (OLIS - Skimmers)
 All Resistors = 330K/1W/5%
 All Gemovs = 18V (type 18Z40)



- Nomenclature**
- SK = Skimmer
 - DB = Diagnostic Box
 - Q = Quad
 - XCB = Horizontal steerer
 - YCB = Vertical steerer
 - SIS = Surface Ion Source
 - MCIS = Multi Charge Ion Source
 - L/R/F/B = Left/Right/Front/Back



Note: Cooled Collimator on 3 Way Bender not part of OLIS Skimmers BOP

REV	DATE	REVISION DESCRIPTION	BY	APP'D
4	Feb.6/2014	SK-16 is a spare channel	RD	
3	28/01/2014	New Cooled Col. upstream 3Way Bender Center Elec.	RD	
1	22/03/2005	Used 100M resistors for SIS-B1A-SK	RD	

TRIUMF		4004 WESEBROOK MALL VANCOUVER, BRITISH COLUMBIA CANADA V6T-2A3		CANADA'S NATIONAL MESON FACILITY	
OLIS - Skimmers BOP					
DRAWN	Ray Dube	APPROVED	DWG NO.	REV	
DATE	2 Nov. 2004		ISK4363D	4	